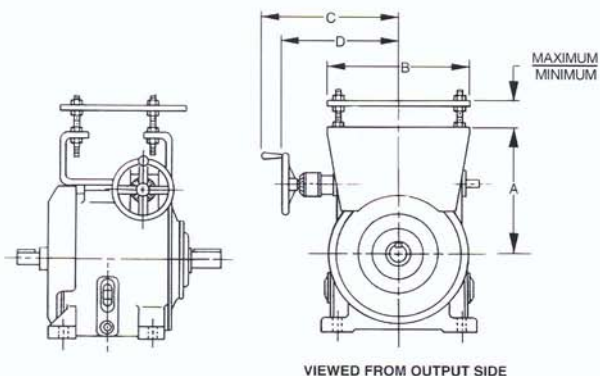




TM Type – Top Mount Adaptor



VIEWED FROM OUTPUT SIDE

MODEL	A	B	C	D	MIN.	MAX.
BHH-N05A	NOT AVAILABLE					
BHH-N1A						
BHH-N2A	13.28	12.00	9.76	8.19	2.25	5.25
BHH-N3A	15.96	14.00	12.80	10.24	2.25	5.25
BHH-N5A						
BHH-N8A	18.64	16.00	13.78	11.22	2.25	5.25
BHH-N10A						
BHH-N15A	22.44	18.00		11.87	2.25	5.25
BHH-N20A	24.90			11.36	2.50	5.50
BHH-N30A	31.16	20.00		12.38	2.50	5.50
BHH-N40A						

All dimensions are in inches.

Dimensions shown are for reference only and are subject to change without notice, unless certified. Certified prints are available after receipt of an order; consult factory.

NOTES:

- 1) Minimum total v-belt drive centers = "A" dimension listed above, plus minimum dimension listed above, plus motor "D" dimension.
- 2) Beiers with top mount option include an outdoor duty, speed indicator handwheel as STD. (See Pg. 40.)
- 3) Fabricated steel motor mount bolts directly to Beier.
- 4) Simple adjusting screws for belt tensioning.
- 5) Motor mounts are furnished with pre-drilled holes for ease of motor assembly.