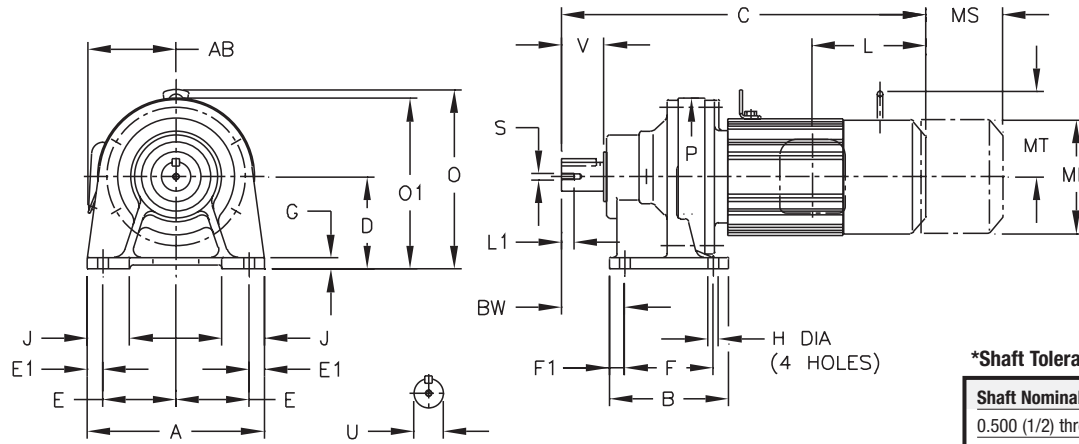


Dimensions Inverter Duty, Integral Foot Mount

Single Reduction

CNHM-6060/5Y ▶ 612HY-AV



***Shaft Tolerances**

Shaft Nominal Diameter (inches)	Tolerances (inches)
0.500 (1/2) through 0.625 (5/8)	+0.0000/-0.0004
0.750 (3/4) through 1.125 (1 1/8)	+0.0000/-0.0005
1.250 (1 1/4) through 1.875 (1 7/8)	+0.0000/-0.0006

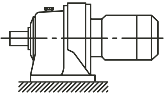
All dimensions are in inches

Model CNHM	A	B	D	E	E1	F	F1	G	H	J	P	BW
6060/5Y	5.67	3.31	3.150	2.36	0.47	2.36	0.47	0.39	0.35	1.38	4.33	1.61
6070/5Y	5.67	3.31	3.150	2.36	0.47	2.36	0.47	0.39	0.35	1.38	4.33	1.85
6080/5Y	5.67	3.90	3.543	2.36	0.47	2.95	0.47	0.51	0.35	1.46	5.28	2.05
6090/5Y	7.09	5.31	3.937	2.95	0.59	3.54	0.59	0.47	0.43	1.57	5.91	2.36
6100/5Y	7.09	5.31	3.937	2.95	0.59	3.54	0.59	0.47	0.43	1.57	5.91	2.36
610HY	7.09	5.31	4.724	2.95	0.59	3.54	0.59	0.47	0.43	1.77	5.91	2.36
6110/5Y	7.09	5.31	4.724	2.95	0.59	3.54	0.59	0.47	0.43	1.77	6.38	2.76
6120/5Y	9.06	6.10	4.724	3.74	0.79	4.53	0.79	0.59	0.55	2.17	8.03	3.23
612HY	9.06	6.10	5.512	3.74	0.79	4.53	0.79	0.59	0.55	2.36	8.03	3.23

Model CNHM	U*	V	Low Speed Shaft		Key
			S	L1	
6060/5Y	0.500	0.98	10-32UNF	0.63	1/8 X 1/8 X .79
6070/5Y	0.750	1.18	12-28UNF	0.63	3/16 X 3/16 X 1.06
6080/5Y	0.875	1.38	12-28UNF	0.63	3/16 X 3/16 X 1.18
6090/5Y	1.125	1.38	5/16-18UNC	0.79	1/4 X 1/4 X 1.18
6100/5Y	1.125	1.38	5/16-18UNC	0.79	1/4 X 1/4 X 1.18
610HY	1.125	1.38	5/16-18UNC	0.79	1/4 X 1/4 X 1.18
6110/5Y	1.250	1.77	5/16-18UNC	0.79	1/4 X 1/4 X 1.46
6120/5Y	1.500	2.17	5/16-18UNC	0.79	3/8 X 3/8 X 1.77
612HY	1.500	2.17	5/16-18UNC	0.79	3/8 X 3/8 X 1.77

Gearmotors

Dimensions



Dimensions Inverter Duty, Integral Foot Mount

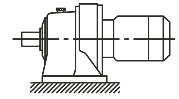
Single Reduction CNHM-6060/5Y ▶ 612HY-AV (cont.)

All dimensions are in inches

Model	Motor		Without Brake						Appx Wt (lb)	With Brake						Appx Wt (lb)		
	HP	Pole	C	O	O1	AB	L	MP		C	O	O1	AB	L	MP		MS	MT
CNHM01-6060/5Y-AV	1/8	4	10.55	-	5.59	5.04	2.32	4.88	15	11.81	-	5.59	5.04	3.58	4.88	2.40	-	18
CNHM02-6060/5Y-AV	1/4	4	11.34	-	5.59	5.04	2.32	4.88	18	12.83	-	5.59	5.04	3.58	4.88	2.40	-	20
CNHM01-6070/5Y-AV	1/8	4	10.79	-	5.59	5.04	2.32	4.88	15	12.05	-	5.59	5.04	3.58	4.88	2.40	-	18
CNHM02-6070/5Y-AV	1/4	4	11.57	-	5.59	5.04	2.32	4.88	18	12.83	-	5.59	5.04	3.58	4.88	2.40	-	20
CNHM03-6070/5Y-AV	1/3	4	11.57	-	5.59	5.04	2.32	4.88	18	12.83	-	5.59	5.04	3.58	4.88	2.40	-	20
CNHM01-6080/5Y-AV	1/8	4	11.81	-	6.18	5.04	2.32	4.88	22	13.07	-	6.18	5.04	3.58	4.88	2.40	-	24
CNHM02-6080/5Y-AV	1/4	4	12.60	-	6.18	5.04	2.32	4.88	26	13.86	-	6.18	5.04	3.58	4.88	2.40	-	29
CNHM03-6080/5Y-AV	1/3	4	12.60	-	6.18	5.04	2.32	4.88	26	13.86	-	6.18	5.04	3.58	4.88	2.40	-	29
CNHM05-6080/5Y-AV	1/2	4	14.21	7.99	-	5.43	3.82	5.83	35	15.91	7.99	-	5.43	5.51	5.83	3.66	4.17	37
CNHM02-6090/5Y-AV	1/4	4	13.31	-	6.89	5.04	2.32	4.88	29	14.57	-	6.89	5.04	3.58	4.88	2.40	-	33
CNHM03-6090/5Y-AV	1/3	4	13.31	-	6.89	5.04	2.32	4.88	29	14.57	-	6.89	5.04	3.58	4.88	2.40	-	33
CNHM05-6090/5Y-AV	1/2	4	14.92	8.39	-	5.43	3.82	5.83	37	16.61	8.39	-	5.43	5.51	5.83	3.66	4.17	44
CNHM08-6090/5Y-AV	3/4	4	16.22	8.66	-	5.63	3.94	6.30	44	18.66	8.66	-	5.63	6.38	6.30	4.53	4.49	55
CNHM1-6090/5Y-AV	1	4	16.22	8.66	-	5.63	3.94	6.30	44	18.66	8.66	-	5.63	6.38	6.30	4.53	4.49	55
CNHM02-6100/5Y-AV	1/4	4	13.86	8.15	-	5.04	2.32	4.88	40	15.12	8.15	-	5.04	3.58	4.88	2.40	-	44
CNHM03-6100/5Y-AV	1/3	4	13.86	8.15	-	5.04	2.32	4.88	40	15.12	8.15	-	5.04	3.58	4.88	2.40	-	44
CNHM05-6100/5Y-AV	1/2	4	15.47	8.39	-	5.43	3.82	5.83	49	17.17	8.39	-	5.43	5.51	5.83	3.66	4.17	55
CNHM08-6100/5Y-AV	3/4	4	16.77	8.66	-	5.63	3.94	6.30	57	19.21	8.66	-	5.63	6.38	6.30	4.53	4.49	68
CNHM1-6100/5Y-AV	1	4	16.77	8.66	-	5.63	3.94	6.30	57	19.21	8.66	-	5.63	6.38	6.30	4.53	4.49	68
CNHM1H-6100/5Y-AV	1.5	4	17.56	8.90	-	5.91	4.13	6.81	66	20.04	8.90	-	5.91	6.61	6.81	4.76	4.88	79
CNHM2-6100/5Y-AV	2	4	17.56	8.90	-	5.91	4.13	6.81	66	20.04	8.90	-	5.91	6.61	6.81	4.76	4.88	79
CNHM02-610HY-AV	1/4	4	13.86	8.94	-	5.04	2.32	4.88	42	15.12	8.94	-	5.04	3.58	4.88	2.40	-	46
CNHM03-610HY-AV	1/3	4	13.86	8.94	-	5.04	2.32	4.88	42	15.12	8.94	-	5.04	3.58	4.88	2.40	-	46
CNHM05-610HY-AV	1/2	4	15.47	9.17	-	5.43	3.82	5.83	51	17.17	9.17	-	5.43	5.51	5.83	3.66	4.17	57
CNHM08-610HY-AV	3/4	4	16.77	9.45	-	5.63	3.94	6.30	60	19.21	9.45	-	5.63	6.38	6.30	4.53	4.49	71
CNHM1-610HY-AV	1	4	16.77	9.45	-	5.63	3.94	6.30	60	19.21	9.45	-	5.63	6.38	6.30	4.53	4.49	71
CNHM1H-610HY-AV	1.5	4	17.56	9.69	-	5.91	4.13	6.81	68	20.04	9.69	-	5.91	6.61	6.81	4.76	4.88	82
CNHM2-610HY-AV	2	4	17.56	9.69	-	5.91	4.13	6.81	68	20.04	9.69	-	5.91	6.61	6.81	4.76	4.88	82
CNHM05-6110/5Y-AV	1/2	4	15.87	9.29	-	5.43	3.82	5.83	49	17.80	9.29	-	5.43	5.51	5.83	3.66	4.17	55
CNHM08-6110/5Y-AV	3/4	4	17.17	9.45	-	5.63	3.94	6.30	55	19.41	9.45	-	5.63	6.38	6.30	4.53	4.49	66
CNHM1-6110/5Y-AV	1	4	17.17	9.45	-	5.63	3.94	6.30	55	19.41	9.45	-	5.63	6.38	6.30	4.53	4.49	66
CNHM1H-6110/5Y-AV	1.5	4	17.95	9.69	-	5.91	4.13	6.81	64	20.43	9.69	-	5.91	6.61	6.81	4.76	4.88	77
CNHM2-6110/5Y-AV	2	4	17.95	9.69	-	5.91	4.13	6.81	64	20.43	9.69	-	5.91	6.61	6.81	4.76	4.88	77
CNHM3-6110/5Y-AV	3	4	19.33	10.47	-	6.54	5.00	8.35	86	22.17	10.47	-	6.54	7.83	8.35	5.20	6.18	108
CNHM08-6120/5Y-AV	3/4	4	17.95	9.45	-	5.63	3.94	6.30	77	20.39	9.45	-	5.63	6.38	6.30	4.53	4.49	88
CNHM1-6120/5Y-AV	1	4	17.95	9.45	-	5.63	3.94	6.30	77	20.39	9.45	-	5.63	6.38	6.30	4.53	4.49	88
CNHM1H-6120/5Y-AV	1.5	4	18.74	9.69	-	5.91	4.13	6.81	86	21.22	9.69	-	5.91	6.61	6.81	4.76	4.88	101
CNHM2-6120/5Y-AV	2	4	18.74	9.69	-	5.91	4.13	6.81	86	21.22	9.69	-	5.91	6.61	6.81	4.76	4.88	101
CNHM3-6120/5Y-AV	3	4	19.65	10.47	-	6.54	5.00	8.35	108	22.48	10.47	-	6.54	7.83	8.35	5.20	6.18	130
CNHM5-6120/5Y-AV	5	4	21.38	10.47	-	6.54	5.00	8.35	123	24.21	10.47	-	6.54	7.83	8.35	5.20	6.18	146
CNHM08-612HY-AV	3.4	4	17.95	10.24	-	5.63	3.94	6.30	79	20.39	10.24	-	5.63	6.38	6.30	4.53	4.49	90
CNHM1-612HY-AV	1	4	17.95	10.24	-	5.63	3.94	6.30	79	20.39	10.24	-	5.63	6.38	6.30	4.53	4.49	90
CNHM1H-612HY-AV	1.5	4	18.74	10.47	-	5.91	4.13	6.81	88	21.22	10.47	-	5.91	6.61	6.81	4.76	4.88	104
CNHM2-612HY-AV	2	4	18.74	10.47	-	5.91	4.13	6.81	88	21.22	10.47	-	5.91	6.61	6.81	4.76	4.88	104
CNHM3-612HY-AV	3	4	19.65	11.26	-	6.54	5.00	8.35	110	22.48	11.26	-	6.54	7.83	8.35	5.20	6.18	132
CNHM5-612HY-AV	5	4	21.38	11.26	-	6.54	5.00	8.35	126	24.21	11.26	-	6.54	7.83	8.35	5.20	6.18	148

Gearmotors

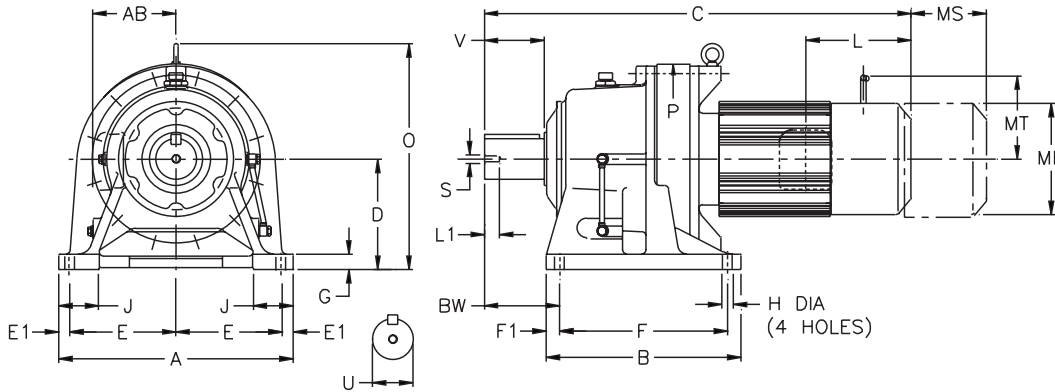
Dimensions



Dimensions Inverter Duty, Integral Foot Mount

Single Reduction

CHHM-6130/5Y ▶ 6190/5Y-AV



All dimensions are in inches

Model CHHM	A	B	D	E	E1	F	F1	G	H	J	P	BW
6130/5Y	12.99	7.68	5.906	5.71	0.79	5.71	0.98	0.87	0.71	2.56	9.06	3.94
6140/5Y	12.99	7.68	5.906	5.71	0.79	5.71	0.98	0.87	0.71	2.56	9.06	4.72
614HY	12.99	7.68	6.299	5.71	0.79	5.71	0.98	0.87	0.71	2.76	9.06	4.72
6160/5Y	16.14	9.37	6.299	7.28	0.79	5.91	1.73	0.98	0.71	2.95	11.81	5.47
616HY	16.14	9.37	7.874	7.28	0.79	5.91	1.73	0.98	0.71	3.15	11.81	5.47
6170/5Y	16.93	13.19	7.874	7.48	0.98	10.83	1.18	1.18	0.87	3.15	13.39	4.92
6180/5Y	18.50	14.96	8.661	8.27	0.98	12.60	1.18	1.18	0.87	3.35	14.57	5.71
6190/5Y	20.87	17.32	9.843	9.45	0.98	14.96	1.18	1.38	1.02	3.54	16.93	6.69

Gearmotors
Dimensions

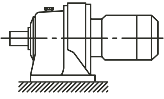
***Shaft Tolerances**

Shaft Nominal Diameter (inches)	Tolerances (inches)
1.250 (1 1/4) through 1.875 (1 7/8)	+0.0000/-0.0006
2.000 (2) through 3.125 (3 1/8)	+0.0000/-0.0007
3.250 (3 1/4) through 4.625 (4 5/8)	+0.0000/-0.0009
4.750 (4 3/4) through 7.000 (7)	+0.0000/-0.0010

Model CHHM	Low Speed Shaft				
	U*	V	S	L1	Key
6130/5Y	1.875	2.76	3/8-16UNC	0.71	1/2 X 1/2 X 2.16
6140/5Y	1.875	3.54	3/8-16UNC	0.71	1/2 X 1/2 X 2.95
614HY	1.875	3.54	3/8-16UNC	0.71	1/2 X 1/2 X 2.95
6160/5Y	2.250	3.54	3/8-16UNC	0.71	1/2 X 1/2 X 2.95
616HY	2.250	3.54	3/8-16UNC	0.71	1/2 X 1/2 X 2.95
6170/5Y	2.750	3.54	1/2-13UNC	0.94	5/8 X 5/8 X 3.15
6180/5Y	3.125	4.33	1/2-13UNC	0.94	3/4 X 3/4 X 3.74
6190/5Y	3.625	5.31	3/4-10UNC	1.34	7/8 X 7/8 X 4.92

Model	Motor		Without Brake						Appx Wt (lb)	With Brake						Appx Wt (lb)
	HP	Pole	C	O	O1	AB	L	MP		C	O	O1	AB	L	MP	
CHHM1-6130/5Y-AV	1	4	20.08	10.55	5.63	3.94	6.30	119	22.52	10.55	5.63	6.38	6.30	4.53	4.49	130
CHHM1H-6130/5Y-AV	1.5	4	20.87	10.79	5.91	4.13	6.81	126	23.35	10.79	5.91	6.61	6.81	4.76	4.88	141
CHHM2-6130/5Y-AV	2	4	20.87	10.79	5.91	4.13	6.81	126	23.35	10.79	5.91	6.61	6.81	4.76	4.88	141
CHHM3-6130/5Y-AV	3	4	21.77	11.65	6.54	5.00	8.35	148	24.61	11.65	6.54	7.83	8.35	5.20	6.18	170
CHHM5-6130/5Y-AV	5	4	23.50	11.65	6.54	5.00	8.35	163	26.34	11.65	6.54	7.83	8.35	5.20	6.18	185
CHHM8-6130/5Y-AV	7.5	4	24.41	12.72	8.31	5.63	9.88	196	28.15	12.72	8.31	9.37	9.88	6.69	7.17	236
CHHM10-6130/5Y-AV	10	4	26.77	12.72	8.31	5.63	9.88	227	30.51	12.72	8.31	9.37	9.88	6.69	7.17	265
CHHM15-6130/5Y-AV ^[1]	15	4	31.10	14.09	9.13	11.61	12.76	340	34.65	12.64	9.13	15.16	12.76	8.66	-	412

Note: [1] Motor frame extends below the unit base.



Dimensions Inverter Duty, Integral Foot Mount

Single Reduction

CHHM-6130/5Y ▶ 6190/5Y-AV (cont.)

All dimensions are in inches

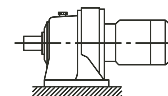
Model	Motor		Without Brake					Appx Wt (lb)	With Brake							Appx Wt (lb)
	HP	Pole	C	O	AB	L	MP		C	O	AB	L	MP	MS	MT	
CHHM1H-6140/5Y-AV	1.5	4	21.65	10.79	5.91	4.13	6.81	128	24.13	10.79	5.91	6.61	6.81	4.76	4.88	143
CHHM2-6140/5Y-AV	2	4	21.65	10.79	5.91	4.13	6.81	128	24.13	10.79	5.91	6.61	6.81	4.76	4.88	143
CHHM3-6140/5Y-AV	3	4	22.56	11.65	6.54	5.00	8.35	150	25.39	11.65	6.54	7.83	8.35	5.20	6.18	172
CHHM5-6140/5Y-AV	5	4	24.29	11.65	6.54	5.00	8.35	165	27.13	11.65	6.54	7.83	8.35	5.20	6.18	187
CHHM8-6140/5Y-AV	7.5	4	25.20	12.72	8.31	5.63	9.88	198	28.94	12.72	8.31	9.37	9.88	6.69	7.17	238
CHHM10-6140/5Y-AV	10	4	27.56	12.72	8.31	5.63	9.88	227	31.30	12.72	8.31	9.37	9.88	6.69	7.17	267
CHHM15-6140/5Y-AV ^[1]	15	4	31.10	14.09	9.13	11.61	12.76	342	34.65	12.64	9.13	15.16	12.76	8.66	-	415
CHHM1H-614HY-AV	1.5	4	21.65	11.18	5.91	4.13	6.81	132	24.13	11.18	5.91	6.61	6.81	4.76	4.88	148
CHHM2-614HY-AV	2	4	21.65	11.18	5.91	4.13	6.81	132	24.13	11.18	5.91	6.61	6.81	4.76	4.88	148
CHHM3-614HY-AV	3	4	22.56	12.05	6.54	5.00	8.35	154	25.39	12.05	6.54	7.83	8.35	5.20	6.18	176
CHHM5-614HY-AV	5	4	24.29	12.05	6.54	5.00	8.35	170	27.13	12.05	6.54	7.83	8.35	5.20	6.18	192
CHHM8-614HY-AV	7.5	4	25.20	13.11	8.31	5.63	9.88	203	28.94	13.11	8.31	9.37	9.88	6.69	7.17	243
CHHM10-614HY-AV	10	4	27.56	13.11	8.31	5.63	9.88	234	31.30	13.11	8.31	9.37	9.88	6.69	7.17	273
CHHM15-614HY-AV ^[1]	15	4	31.10	14.49	9.13	11.61	12.76	348	34.65	13.03	9.13	15.16	12.76	8.66	-	421
CHHM2-6160/5Y-AV	2	4	23.54	12.20	5.91	4.13	6.81	212	26.02	12.20	5.91	6.61	6.81	4.76	4.88	225
CHHM3-6160/5Y-AV	3	4	24.45	12.20	6.54	5.00	8.35	232	27.28	12.20	6.54	7.83	8.35	5.20	6.18	254
CHHM5-6160/5Y-AV	5	4	26.18	12.20	6.54	5.00	8.35	247	29.02	12.20	6.54	7.83	8.35	5.20	6.18	269
CHHM8-6160/5Y-AV	7.5	4	27.28	13.11	8.31	5.63	9.88	282	31.02	13.11	8.31	9.37	9.88	6.69	7.17	320
CHHM10-6160/5Y-AV	10	4	29.65	13.11	8.31	5.63	9.88	313	33.39	13.11	8.31	9.37	9.88	6.69	7.17	351
CHHM15-6160/5Y-AV ^[1]	15	4	32.99	14.49	9.13	11.61	12.76	430	36.54	14.49	9.13	15.16	12.76	8.66	-	503
CHHM20-6160/5Y-AV ^[1]	20	4	36.73	14.49	11.69	13.39	15.51	589	45.00	14.49	11.69	21.65	15.51	14.45	-	701
CHHM2-616HY-AV	2	4	23.54	13.78	5.91	4.13	6.81	223	26.02	13.78	5.91	6.61	6.81	4.76	4.88	236
CHHM3-616HY-AV	3	4	24.45	13.78	6.54	5.00	8.35	243	27.28	13.78	6.54	7.83	8.35	5.20	6.18	265
CHHM5-616HY-AV	5	4	26.18	13.78	6.54	5.00	8.35	258	29.02	13.78	6.54	7.83	8.35	5.20	6.18	280
CHHM8-616HY-AV	7.5	4	27.28	14.69	8.31	5.63	9.88	293	31.02	14.69	8.31	9.37	9.88	6.69	7.17	331
CHHM10-616HY-AV	10	4	29.65	14.69	8.31	5.63	9.88	324	33.39	14.69	8.31	9.37	9.88	6.69	7.17	362
CHHM15-616HY-AV	15	4	32.99	16.06	9.13	11.61	12.76	441	36.54	16.06	9.13	15.16	12.76	8.66	-	514
CHHM20-616HY-AV	20	4	36.73	16.06	11.69	13.39	15.51	600	45.00	16.06	11.69	21.65	15.51	14.45	-	712
CHHM5-6170/5Y-AV	5	4	28.50	15.87	6.54	5.00	8.35	337	31.34	15.87	6.54	7.83	8.35	5.20	6.18	359
CHHM8-6170/5Y-AV	7.5	4	29.21	15.87	8.31	5.63	9.88	370	32.95	15.87	8.31	9.37	9.88	6.69	7.17	410
CHHM10-6170/5Y-AV	10	4	31.57	15.87	8.31	5.63	9.88	401	35.31	15.87	8.31	9.37	9.88	6.69	7.17	441
CHHM15-6170/5Y-AV	15	4	34.72	16.26	9.13	11.61	12.76	520	38.27	16.26	9.13	15.16	12.76	8.66	-	593
CHHM20-6170/5Y-AV	20	4	38.46	16.81	11.69	13.39	15.51	670	46.73	16.81	11.69	21.65	15.51	14.45	-	783
CHHM25-6170/5Y-AV	25	4	38.46	16.85	11.69	13.39	15.51	708	46.73	16.81	11.69	21.65	15.51	14.57	-	803
CHHM30-6170/5Y-AV	30	4	38.46	16.85	11.69	13.39	15.51	708	46.73	16.81	11.69	21.65	15.51	14.57	-	803
CHHM8-6180/5Y-AV	7.5	4	30.67	17.24	8.31	5.63	9.88	454	34.41	17.24	8.31	9.37	9.88	6.69	7.17	494
CHHM10-6180/5Y-AV	10	4	33.03	17.24	8.31	5.63	9.88	485	36.77	17.24	8.31	9.37	9.88	6.69	7.17	525
CHHM15-6180/5Y-AV	15	4	36.18	17.24	9.13	11.61	12.76	617	39.72	17.24	9.13	15.16	12.76	8.66	-	679
CHHM20-6180/5Y-AV	20	4	39.92	17.64	11.69	13.39	15.51	754	48.19	17.64	11.69	21.65	15.51	14.45	-	867
CHHM25-6180/5Y-AV	25	4	39.92	17.64	11.69	13.39	15.51	792	48.19	17.64	11.69	21.65	15.51	14.57	-	886
CHHM30-6180/5Y-AV	30	4	39.92	17.64	11.69	13.39	15.51	792	48.19	17.64	11.69	21.65	15.51	14.57	-	886
CHHM40-6180/5Y-AV	40	4	44.45	18.94	11.69	18.11	15.51	897	52.91	18.94	11.69	21.65	15.51	11.61	-	1111
CHHM15-6190/5Y-AV	15	4	39.17	18.39	9.13	11.61	12.76	761	42.72	18.39	9.13	15.16	12.76	8.66	-	836
CHHM20-6190/5Y-AV	20	4	42.91	20.12	11.69	13.39	15.51	919	51.18	20.12	11.69	21.65	15.51	14.45	-	1019
CHHM25-6190/5Y-AV	25	4	42.91	20.12	11.69	13.39	15.51	953	51.18	20.12	11.69	21.65	15.51	14.57	-	1047
CHHM30-6190/5Y-AV	30	4	42.91	20.12	11.69	13.39	15.51	953	51.18	20.12	11.69	21.65	15.51	14.57	-	1047
CHHM40-6190/5Y-AV	40	4	47.44	20.12	11.69	18.11	15.51	1036	55.91	20.12	11.69	21.65	15.51	11.61	-	1250
CHHM406-6190/5Y-AV ^[2]	40	6	48.62	20.12	11.69	18.11	15.51	1041	-	-	-	-	-	-	-	-
CHHM50-6190/5Y-AV	50	4	47.44	20.12	11.69	18.11	15.51	1036	55.91	20.12	11.69	28.03	15.51	11.61	-	1250
CHHM506-6190/5Y-AV ^[2]	50	6	49.80	20.12	11.69	18.11	19.06	1230	-	-	-	-	-	-	-	-

Note: [1] Motor frame extends below the unit base.

[2] Air over design.

Gearmotors

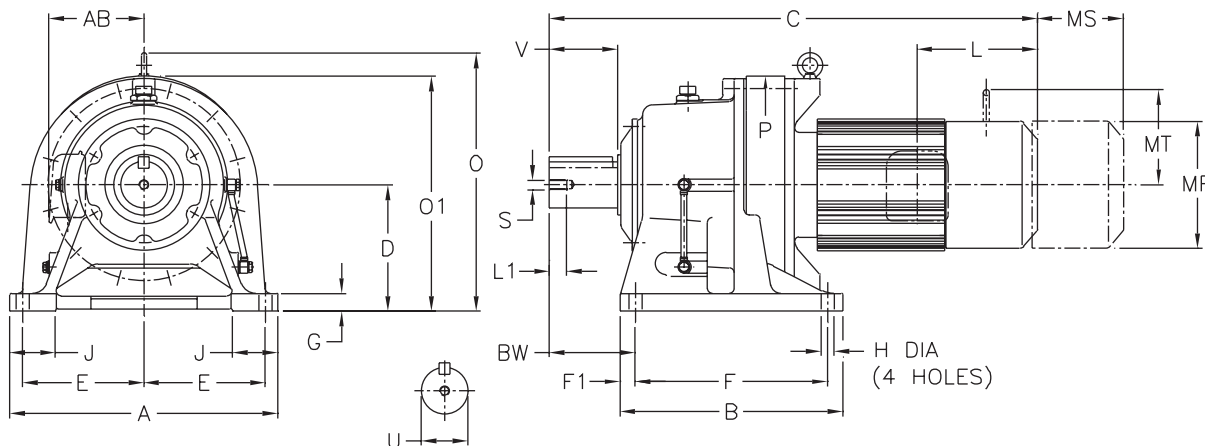
Dimensions



Dimensions Inverter Duty, Integral Foot Mount

Single Reduction

CHHM-6205Y ▶ 6255Y-AV



All dimensions are in inches

Model CHHM	A	B	D	E	E1	F	F1	G	H	J	P	BW
6205Y	20.87	17.32	9.843	8.66	1.77	14.17	1.57	1.38	1.02	3.94	18.54	8.46
6215Y	22.83	18.70	10.433	9.45	1.97	15.55	1.57	1.57	1.02	4.33	19.09	8.27
6225Y	24.41	20.47	11.024	10.63	1.57	16.54	1.97	1.57	1.30	4.53	20.71	9.06
6235Y	26.38	22.05	11.811	11.42	1.77	18.11	1.97	1.77	1.30	4.72	22.13	10.24
6245Y	28.35	22.83	13.189	12.40	1.77	18.90	1.97	1.77	1.54	5.04	25.08	10.35
6255Y	30.71	24.80	14.764	13.19	2.17	20.47	2.17	1.97	1.54	5.51	27.68	12.60

Gearmotors

Dimensions

Model CHHM	Low Speed Shaft				
	U*	V	S	L1	Key
6205Y	3.875	6.50	3/4-10UNC	1.34	1 X 1 X 6.50
6215Y	4.250	6.50	3/4-10UNC	1.34	1 X 1 X 6.50
6225Y	4.625	6.50	3/4-10UNC	1.34	1-1/4 X 7/8 X 6.5
6235Y	5.000	7.87	1-8UNC	1.61	1-1/4 X 7/8 X 7.87
6245Y	5.500	7.87	1-8UNC	1.61	1-1/4 X 7/8 X 7.87
6255Y	6.250	9.45	1-1/4-7UNC	1.93	1-1/2 X 1 X 9.45

***Shaft Tolerances**

Shaft Nominal Diameter (inches)	Tolerances (inches)
1.250 (1 1/4) through 1.875 (1 7/8)	+0.0000/-0.0006
2.000 (2) through 3.125 (3 1/8)	+0.0000/-0.0007
3.250 (3 1/4) through 4.625 (4 5/8)	+0.0000/-0.0009
4.750 (4 3/4) through 7.000 (7)	+0.0000/-0.0010

Model	Motor		Without Brake					Appx Wt (lb)	With Brake						Appx Wt (lb)	
	HP	Pole	C	O	AB	L	MP		C	O	AB	L	MP	MS		MT
CHHM20-6205Y-AV	20	4	44.37	20.87	11.69	13.39	15.51	966	50.87	20.87	11.69	21.65	15.51	14.45	-	1065
CHHM30-6205Y-AV	30	4	44.37	20.87	11.69	13.39	15.51	994	50.87	20.87	11.69	21.65	15.51	14.45	-	1087
CHHM40-6205Y-AV [1]	40	4	50.08	20.87	11.69	18.11	15.51	1082	60.00	20.87	11.69	26.57	15.51	17.52	-	1287
CHHM20-6215Y-AV	20	4	45.31	22.64	11.69	13.39	15.51	1135	51.81	22.64	11.69	21.65	15.51	14.45	-	1235
CHHM40-6215Y-AV [1]	40	4	51.02	22.64	11.69	18.11	15.51	1252	60.94	22.64	11.69	26.57	15.51	17.52	-	1459
CHHM406-6215Y-AV [1]	40	6	51.02	22.64	11.69	18.11	15.51	1252	60.94	22.64	11.69	26.57	15.51	17.52	-	1459
CHHM50-6215Y-AV [1]	50	4	51.02	22.64	11.69	18.11	15.51	1252	60.94	22.64	11.69	26.57	15.51	17.52	-	1459
CHHM30-6225Y-AV	30	4	46.89	24.02	11.69	13.39	15.51	1351	55.16	24.02	11.69	21.65	15.51	14.45	-	1451
CHHM50-6225Y-AV [1]	50	4	52.6	24.02	11.69	18.11	15.51	1440	62.52	24.02	11.69	26.57	15.51	17.52	-	1647
CHHM406-6235Y-AV [1]	40	6	55.04	26.26	11.69	18.11	15.51	1645	64.96	26.26	11.69	26.57	15.51	17.52	-	1836
CHHM506-6245Y-AV [1]	50	6	58.35	28.7	11.69	18.11	19.06	2121	-	-	-	-	-	-	-	-
CHHM506-6255Y-AV [1]	50	6	62.99	32.09	11.69	18.11	19.06	2824	-	-	-	-	-	-	-	-

Note: [1] Motor frame extends below the unit base.