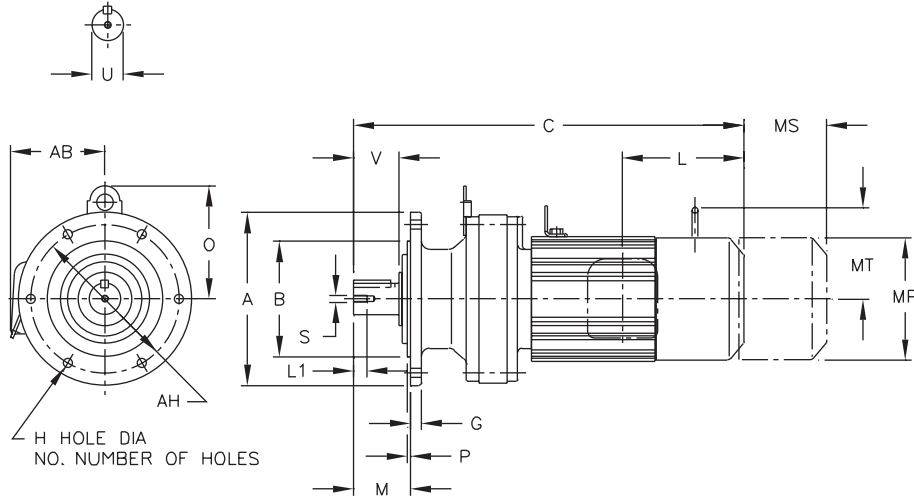


Dimensions Integral V-Flange Mount

Single Reduction

CNVM-6060/5Y ▶ 6120/5Y, PHVM-6100/5Y ▶ 6120/5Y



All dimensions are in inches

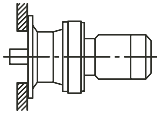
Model CNVM, PHVM	A	B	G	H	NO.	M	O	P	AH
6060/5Y	4.72	3.1484 3.1466	0.31	0.35	6	1.34	-	0.12	4.02
6070/5Y	6.30	4.3293 4.3272	0.35	0.43	4	1.65	-	0.12	5.28
6080/5Y	6.30	4.3293 4.3272	0.35	0.43	4	1.89	-	0.12	5.28
6090/5Y	6.30	4.3293 4.3272	0.35	0.43	4	1.89	4.21	0.12	5.28
6100/5Y	6.30	4.3293 4.3272	0.35	0.43	4	1.89	4.21	0.12	5.28
6110/5Y	8.27	5.5101 5.5076	0.43	0.43	6	2.28	4.57	0.16	7.09
6120/5Y	8.27	5.5101 5.5076	0.51	0.43	6	2.72	5.39	0.16	7.09

Gearmotors
Dimensions

Model CNVM, PHVM	Low Speed Shaft				
	U*	V	S	L1	Key
6060/5Y	0.500	0.98	10-32UNF	0.63	1/8 X 1/8 X 0.79
6070/5Y	0.750	1.18	12-28UNF	0.63	3/16 X 3/16 X 1.06
6080/5Y	0.875	1.38	12-28UNF	0.63	3/16 X 3/16 X 1.18
6090/5Y	1.125	1.38	5/16-18UNC	0.79	1/4 X 1/4 X 1.18
6100/5Y	1.125	1.38	5/16-18UNC	0.79	1/4 X 1/4 X 1.18
6110/5Y	1.250	1.77	5/16-18UNC	0.79	1/4 X 1/4 X 1.46
6120/5Y	1.500	2.17	5/16-18UNC	0.79	3/8 X 3/8 X 1.77

***Shaft Tolerances**

Shaft Nominal Diameter (inches)	Tolerances (inches)
0.500 (1/2) through 0.625 (5/8)	+0.0000/-0.0004
0.750 (3/4) through 1.125 (1 1/8)	+0.0000/-0.0005
1.250 (1 1/4) through 1.875 (1 7/8)	+0.0000/-0.0006



Dimensions Integral V-Flange Mount

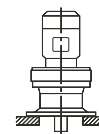
Single Reduction CNVM-6060/5Y ▶ 6120/5Y, PHVM-6100/5Y ▶ 6120/5Y (cont.)

All dimensions are in inches

Model	Motor		Without Brake				Appx Wt (lb)	With Brake						Appx Wt (lb)
	HP	Pole	C	AB	L	MP		C	AB	L	MP	MS	MT	
CNVM01-6060/5Y	1/8	4	8.90	5.04	1.38	4.69	13	10.28	5.04	2.76	4.88	1.93	-	18
CNVM02-6060/5Y	1/4	4	10.55	5.04	2.32	4.88	15	11.81	5.04	3.58	4.88	2.40	-	20
CNVM03-6060/5Y	1/3	4	10.55	5.04	2.32	4.88	18	11.81	5.04	3.58	4.88	2.40	-	20
CNVM01-6070/5Y	1/8	4	9.13	5.04	1.38	4.69	18	10.51	5.04	2.76	4.88	1.93	-	20
CNVM02-6070/5Y	1/4	4	10.79	5.04	2.32	4.88	20	12.05	5.04	3.58	4.88	2.40	-	22
CNVM03-6070/5Y	1/3	4	10.79	5.04	2.32	4.88	20	12.05	5.04	3.58	4.88	2.40	-	22
CNVM05-6070/5Y	1/2	4	11.57	5.04	2.32	4.88	22	12.83	5.04	3.58	4.88	2.40	-	24
CNVM01-6080/5Y	1/8	4	10.16	5.04	1.38	4.69	24	11.54	5.04	2.76	4.88	1.93	-	26
CNVM02-6080/5Y	1/4	4	11.81	5.04	2.32	4.88	26	13.07	5.04	3.58	4.88	2.40	-	29
CNVM03-6080/5Y	1/3	4	11.81	5.04	2.32	4.88	26	13.07	5.04	3.58	4.88	2.40	-	29
CNVM05-6080/5Y	1/2	4	12.60	5.04	2.32	4.88	31	13.86	5.04	3.58	4.88	2.40	-	33
CNVM08-6080/5Y	3/4	4	14.21	5.43	3.82	5.83	40	15.91	5.43	5.51	5.83	3.66	4.17	42
CNVM1-6080/5Y	1	4	14.21	5.43	3.82	5.83	40	15.91	5.43	5.51	5.83	3.66	4.17	42
CNVM01-6090/5Y	1/8	4	10.87	5.04	1.38	4.69	26	12.24	5.04	2.76	4.88	1.93	-	31
CNVM02-6090/5Y	1/4	4	12.52	5.04	2.32	4.88	29	13.78	5.04	3.58	4.88	2.40	-	33
CNVM03-6090/5Y	1/3	4	12.52	5.04	2.32	4.88	29	13.78	5.04	3.58	4.88	2.40	-	33
CNVM05-6090/5Y	1/2	4	13.31	5.04	2.32	4.88	31	14.57	5.04	3.58	4.88	2.40	-	35
CNVM08-6090/5Y	3/4	4	14.92	5.43	3.82	5.83	40	16.61	5.43	5.51	5.83	3.66	4.17	46
CNVM1-6090/5Y	1	4	14.92	5.43	3.82	5.83	40	16.61	5.43	5.51	5.83	3.66	4.17	46
CNVM1H-6090/5Y	1.5	4	16.22	5.63	3.94	6.30	46	18.66	5.63	6.38	6.30	4.53	4.49	57
CNVM2-6090/5Y	2	4	16.22	5.63	3.94	6.30	46	18.66	5.63	6.38	6.30	4.53	4.49	57
CNVM02-6100/5Y	1/4	4	13.07	5.04	2.32	4.88	33	14.33	5.04	3.58	4.88	2.40	-	37
CNVM03-6100/5Y	1/3	4	13.07	5.04	2.32	4.88	33	14.33	5.04	3.58	4.88	2.40	-	37
CNVM05-6100/5Y	1/2	4	13.86	5.04	2.32	4.88	35	15.12	5.04	3.58	4.88	2.40	-	40
CNVM08-6100/5Y	3/4	4	15.47	5.43	3.82	5.83	44	17.17	5.43	5.51	5.83	3.66	4.17	51
CNVM1-6100/5Y	1	4	15.47	5.43	3.82	5.83	44	17.17	5.43	5.51	5.83	3.66	4.17	51
CNVM/PHVM1H-6100/5Y	1.5	4	16.77	5.63	3.94	6.30	53	19.21	5.63	6.38	6.30	4.53	4.49	64
CNVM/PHVM2-6100/5Y	2	4	16.77	5.63	3.94	6.30	53	19.21	5.63	6.38	6.30	4.53	4.49	64
CNVM/PHVM3-6100/5Y	3	4	17.56	5.91	4.13	6.81	62	20.04	5.91	6.61	6.81	4.76	4.88	75
CNVM05-6110/5Y	1/2	4	14.29	5.04	2.32	4.88	40	15.51	5.04	3.58	4.88	2.40	-	44
CNVM08-6110/5Y	3/4	4	15.87	5.43	3.82	5.83	46	17.80	5.43	5.51	5.83	3.66	4.17	53
CNVM1-6110/5Y	1	4	15.87	5.43	3.82	5.83	46	17.80	5.43	5.51	5.83	3.66	4.17	53
CNVM1H-6110/5Y	1.5	4	17.17	5.63	3.94	6.30	53	19.41	5.63	6.38	6.30	4.53	4.49	64
CNVM2-6110/5Y	2	4	17.17	5.63	3.94	6.30	53	19.41	5.63	6.38	6.30	4.53	4.49	64
CNVM3-6110/5Y	3	4	17.95	5.91	4.13	6.81	62	20.43	5.91	6.61	6.81	4.76	4.88	75
CNVM5-6110/5Y	5	4	19.33	6.54	5.00	8.35	84	22.17	6.54	7.83	8.35	5.20	6.18	106
CNVM08-6120/5Y	3/4	4	16.65	5.43	3.82	5.83	66	18.35	5.43	5.51	5.83	3.66	4.17	73
CNVM1-6120/5Y	1	4	16.65	5.43	3.82	5.83	66	18.35	5.43	5.51	5.83	3.66	4.17	73
CNVM1H-6120/5Y	1.5	4	17.95	5.63	3.94	6.30	75	20.39	5.63	6.38	6.30	4.53	4.49	86
CNVM2-6120/5Y	2	4	17.95	5.63	3.94	6.30	75	20.39	5.63	6.38	6.30	4.53	4.49	86
CNVM3-6120/5Y	3	4	18.74	5.91	4.13	6.81	84	21.22	5.91	6.61	6.81	4.76	4.88	99
CNVM/PHVM5-6120/5Y	5	4	19.65	6.54	5.00	8.35	106	22.48	6.54	7.83	8.35	5.20	6.18	128
CNVM/PHVM8-6120/5Y	7.5	4	21.38	6.54	5.00	8.35	121	24.21	6.54	7.83	8.35	5.20	6.18	143

Gearmotors

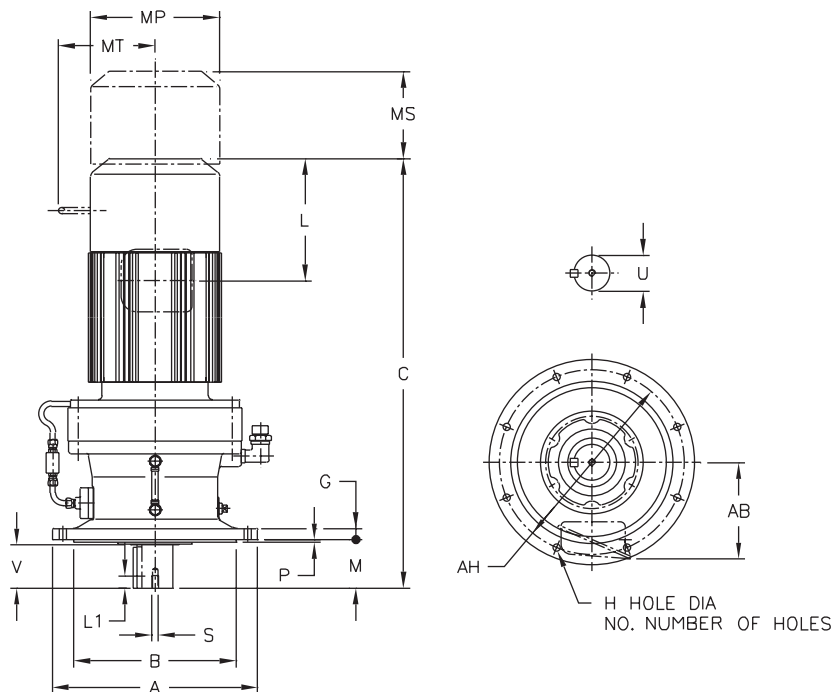
Dimensions



Dimensions Integral Vertical V-Flange Mount

Single Reduction

CVVM-6130/5Y ▶ 6190/5Y, PVVM-6130/5Y ▶ 6170/5Y



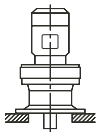
All dimensions are in inches

Model CVVM, PVVM	A	B	G	H	NO.	M	P	AH
6130/5Y	10.24	7.8720 7.8692	0.59	0.43	6	2.99	0.16	9.06
6140/5Y	10.24	7.8720 7.8692	0.59	0.43	6	3.78	0.16	9.06
6160/5Y	13.39	10.6277 10.6245	0.79	0.43	6	3.50	0.16	12.20
6170/5Y	15.75	12.4385 12.4350	0.87	0.55	8	3.70	0.20	14.17
6180/5Y	16.93	13.5802 13.5767	0.87	0.71	8	4.33	0.20	15.35
6190/5Y	19.29	15.7456 15.7421	1.18	0.71	12	5.71	0.24	17.72

Model CVVM, PVVM	Low Speed Shaft				Key
	U*	V	S	L1	
6130/5Y	1.875	2.40	3/8-16UNC	0.71	1/2 X 1/2 X 2.16
6140/5Y	1.875	3.19	3/8-16UNC	0.71	1/2 X 1/2 X 2.95
6160/5Y	2.250	3.15	3/8-16UNC	0.71	1/2 X 1/2 X 2.95
6170/5Y	2.750	3.31	1/2-13UNC	0.94	5/8 X 5/8 X 3.15
6180/5Y	3.125	3.94	1/2-13UNC	0.94	3/4 X 3/4 X 3.74
6190/5Y	3.625	4.92	3/4-10UNC	1.34	7/8 X 7/8 X 4.92

***Shaft Tolerances**

Shaft Nominal Diameter (inches)	Tolerances (inches)
1.250 (1 1/4) through 1.875 (1 7/8)	+0.0000/-0.0006
2.000 (2) through 3.125 (3 1/8)	+0.0000/-0.0007
3.250 (3 1/4) through 4.625 (4 5/8)	+0.0000/-0.0009
4.750 (4 3/4) through 7.000 (7)	+0.0000/-0.0010



Dimensions Integral Vertical V-Flange Mount

Single Reduction

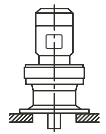
CVVM-6130/5Y ▶ 6190/5Y, PVVM-6130/5Y ▶ 6170/5Y (cont.)

All dimensions are in inches

Model	Motor		Without Brake				Appx Wt (lb)	With Brake						Appx Wt (lb)
	HP	Pole	C	AB	L	MP		C	AB	L	MP	MS	MT	
CVVM1-6130/5Y	1	4	18.78	5.43	3.82	5.83	110	20.47	5.43	5.51	5.83	3.66	4.17	117
CVVM1H-6130/5Y	1.5	4	20.08	5.63	3.94	6.30	119	22.52	5.63	6.38	6.30	4.53	4.49	130
CVVM2-6130/5Y	2	4	20.08	5.63	3.94	6.30	119	22.52	5.63	6.38	6.30	4.53	4.49	130
CVVM3-6130/5Y	3	4	20.87	5.91	4.13	6.81	126	23.35	5.91	6.61	6.81	4.76	4.88	141
CVVM5-6130/5Y	5	4	21.77	6.54	5.00	8.35	148	24.61	6.54	7.83	8.35	5.20	6.18	170
CVVM/PVVM8-6130/5Y	7.5	4	23.50	6.54	5.00	8.35	163	26.34	6.54	7.83	8.35	5.20	6.18	185
CVVM/PVVM10-6130/5Y	10	4	24.41	8.31	5.63	9.88	196	28.15	8.31	9.37	9.88	6.69	7.17	236
CVVM15-6130/5Y	15	4	26.77	8.31	5.63	9.88	227	30.51	8.31	9.37	9.88	6.69	7.17	265
CVVM1H-6140/5Y	1.5	4	20.87	5.63	3.94	6.30	121	23.31	5.63	6.38	6.30	4.53	4.49	132
CVVM2-6140/5Y	2	4	20.87	5.63	3.94	6.30	121	23.31	5.63	6.38	6.30	4.53	4.49	132
CVVM3-6140/5Y	3	4	21.65	5.91	4.13	6.81	128	24.13	5.91	6.61	6.81	4.76	4.88	143
CVVM5-6140/5Y	5	4	22.56	6.54	5.00	8.35	150	25.39	6.54	7.83	8.35	5.20	6.18	172
CVVM8-6140/5Y	7.5	4	24.29	6.54	5.00	8.35	165	27.13	6.54	7.83	8.35	5.20	6.18	187
CVVM/PVVM10-6140/5Y	10	4	25.20	8.31	5.63	9.88	198	28.94	8.31	9.37	9.88	6.69	7.17	238
CVVM/PVVM15-6140/5Y	15	4	27.56	8.31	5.63	9.88	227	31.30	8.31	9.37	9.88	6.69	7.17	267
CVVM20-6140/5Y	20	4	31.10	9.13	11.61	12.76	342	34.65	9.13	15.16	12.76	8.66	-	415
CVVM2-6160/5Y	2	4	22.95	5.63	3.94	6.30	194	25.39	5.63	6.38	6.30	4.53	4.49	205
CVVM3-6160/5Y	3	4	23.54	5.91	4.13	6.81	201	26.02	5.91	6.61	6.81	4.76	4.88	214
CVVM5-6160/5Y	5	4	24.45	6.54	5.00	8.35	221	27.28	6.54	7.83	8.35	5.20	6.18	243
CVVM8-6160/5Y	7.5	4	26.18	6.54	5.00	8.35	236	29.02	6.54	7.83	8.35	5.20	6.18	258
CVVM10-6160/5Y	10	4	27.28	8.31	5.63	9.88	271	31.02	8.31	9.37	9.88	6.69	7.17	309
CVVM/PVVM15-6160/5Y	15	4	29.65	8.31	5.63	9.88	302	33.39	8.31	9.37	9.88	6.69	7.17	340
CVVM/PVVM20-6160/5Y	20	4	32.99	9.13	11.61	12.76	419	36.54	9.13	15.16	12.76	8.66	-	492
CVVM/PVVM25-6160/5Y	25	4	36.73	11.69	13.39	15.51	578	45.00	11.69	21.65	15.51	14.45	-	690
CVVM30-6160/5Y	30	4	36.73	11.69	13.39	15.51	578	45.00	11.69	21.65	15.51	14.45	-	690
CVVM5-6170/5Y	5	4	26.77	6.54	5.00	8.35	315	29.61	6.54	7.83	8.35	5.20	6.18	337
CVVM8-6170/5Y	7.5	4	28.50	6.54	5.00	8.35	331	31.34	6.54	7.83	8.35	5.20	6.18	353
CVVM10-6170/5Y	10	4	29.21	8.31	5.63	9.88	364	32.95	8.31	9.37	9.88	6.69	7.17	404
CVVM15-6170/5Y	15	4	31.57	8.31	5.63	9.88	395	35.31	8.31	9.37	9.88	6.69	7.17	434
CVVM/PVVM20-6170/5Y	20	4	34.72	9.13	11.61	12.76	514	38.27	9.13	15.16	12.76	8.66	-	587
CVVM/PVVM25-6170/5Y	25	4	38.46	11.69	13.39	15.51	664	46.73	11.69	21.65	15.51	14.45	-	776
CVVM/PVVM30-6170/5Y	30	4	38.46	11.69	13.39	15.51	664	46.73	11.69	21.65	15.51	14.45	-	776
CVVM40-6170/5Y	40	4	38.46	11.69	13.39	15.51	701	46.73	11.69	21.65	15.51	14.57	-	796
CVVM5-6180/5Y	5	4	28.23	6.54	5.00	8.35	373	31.06	6.54	7.83	8.35	5.20	6.18	395
CVVM8-6180/5Y	7.5	4	29.96	6.54	5.00	8.35	390	32.80	6.54	7.83	8.35	5.20	6.18	412
CVVM10-6180/5Y	10	4	30.67	8.31	5.63	9.88	423	34.41	8.31	9.37	9.88	6.69	7.17	463
CVVM15-6180/5Y	15	4	33.03	8.31	5.63	9.88	454	36.77	8.31	9.37	9.88	6.69	7.17	494
CVVM20-6180/5Y	20	4	36.18	9.13	11.61	12.76	587	39.72	9.13	15.16	12.76	8.66	-	648
CVVM25-6180/5Y	25	4	39.92	11.69	13.39	15.51	723	48.19	11.69	21.65	15.51	14.45	-	836
CVVM30-6180/5Y	30	4	39.92	11.69	13.39	15.51	723	48.19	11.69	21.65	15.51	14.45	-	836
CVVM40-6180/5Y	40	4	39.92	11.69	13.39	15.51	761	48.19	11.69	21.65	15.51	14.57	-	856
CVVM50-6180/5Y	50	4	44.45	11.69	16.93	15.51	867	52.91	11.69	25.39	15.51	17.52	-	1080
CVVM60-6180/5Y	60	4	44.45	11.69	16.93	15.51	867	52.91	11.69	25.39	15.51	17.52	-	1080
CVVM8-6190/5Y	7.5	4	33.74	6.54	5.00	8.35	549	36.57	6.54	7.83	8.35	5.20	6.18	571
CVVM10-6190/5Y	10	4	34.25	8.31	5.63	9.88	578	37.99	8.31	9.37	9.88	6.69	7.17	617
CVVM15-6190/5Y	15	4	36.61	8.31	5.63	9.88	609	40.35	8.31	9.37	9.88	6.69	7.17	648
CVVM20-6190/5Y	20	4	39.17	9.13	11.61	12.76	725	42.72	9.13	15.16	12.76	8.66	-	800
CVVM25-6190/5Y	25	4	42.91	11.69	13.39	15.51	884	51.18	11.69	21.65	15.51	14.45	-	983
CVVM256-6190/5Y	25	6	42.91	11.69	13.39	15.51	884	51.18	11.69	21.65	15.51	14.45	-	979
CVVM30-6190/5Y	30	4	42.91	11.69	13.39	15.51	884	51.18	11.69	21.65	15.51	14.45	-	983
CVVM40-6190/5Y	40	4	42.91	11.69	13.39	15.51	917	51.18	11.69	21.65	15.51	14.45	-	979
CVVM406-6190/5Y	40	6	47.44	11.69	16.93	15.51	1001	55.91	11.69	25.39	15.51	17.52	-	1215
CVVM50-6190/5Y	50	4	47.44	11.69	16.93	15.51	1001	55.91	11.69	25.39	15.51	17.52	-	1215
CVVM506-6190/5Y	50	6	47.44	11.69	16.93	15.51	1001	55.91	11.69	25.39	15.51	17.52	-	1215
CVVM60-6190/5Y	60	4	47.44	11.69	16.93	15.51	1001	55.91	11.69	25.39	15.51	17.52	-	1215

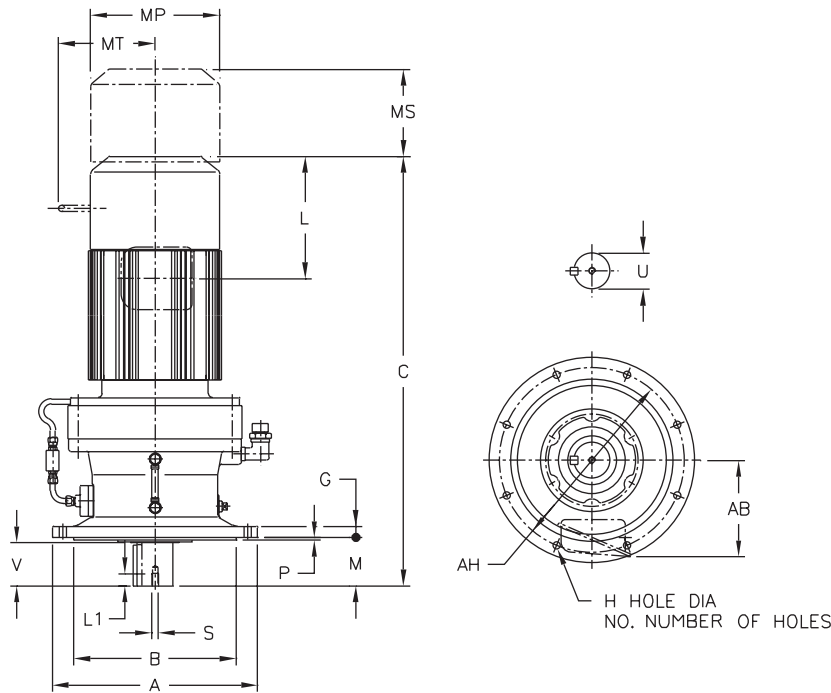
Gearmotors

Dimensions



Dimensions Integral Vertical V-Flange Mount

Single Reduction CVVM-6205Y ▶ 6235Y



Gearmotors All dimensions are in inches

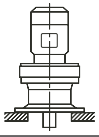
Dimensions

Model CVVM	A	B	G	H	NO.	M	P	AH
6205Y	17.91	13.9739 13.9704	1.18	0.87	8	8.03	0.20	15.94
6215Y	19.29	15.3519 15.3484	1.38	0.94	8	7.99	0.28	17.32
6225Y	21.06	16.3359 16.3321	1.38	1.06	8	8.27	0.39	18.70
6235Y	22.44	17.7139 17.7100	1.57	1.06	8	9.84	0.39	20.08

Model CVVM	Low Speed Shaft				Key
	U*	V	S	L1	
6205Y	3.875	6.50	3/4-10UNC	1.34	1 X 1 X 6.50
6215Y	4.250	6.50	3/4-10UNC	1.34	1 X 1 X 6.50
6225Y	4.625	6.50	3/4-10UNC	1.34	1-1/4 X 7/8 X 6.50
6235Y	5.000	7.87	1-8UNC	1.61	1-1/4 X 7/8 X 7.87

***Shaft Tolerances**

Shaft Nominal Diameter (inches)	Tolerances (inches)
1.250 (1 1/4) through 1.875 (1 7/8)	+0.0000/-0.0006
2.000 (2) through 3.125 (3 1/8)	+0.0000/-0.0007
3.250 (3 1/4) through 4.625 (4 5/8)	+0.0000/-0.0009
4.750 (4 3/4) through 7.000 (7)	+0.0000/-0.0010



Dimensions Integral Vertical V-Flange Mount

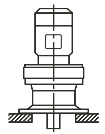
Single Reduction CVVM-6205Y ▶ 6235Y (cont.)

All dimensions are in inches

Model	Motor		C	Without Brake			Appx Wt (lb)	With Brake						Appx Wt (lb)
	HP	Pole		AB	L	MP		C	AB	L	MP	MS	MT	
CVVM15-6205Y	15	4	38.27	8.31	5.63	9.88	657	42.01	8.31	9.37	9.88	6.69	7.17	697
CVVM20-6205Y	20	4	41.02	9.13	11.61	12.76	776	44.57	9.13	15.16	12.76	8.66	-	853
CVVM206-6205Y	20	6	44.37	11.69	13.39	15.51	933	52.64	11.69	21.65	15.51	14.45	-	1032
CVVM25-6205Y	25	4	44.37	11.69	13.39	15.51	933	52.64	11.69	21.65	15.51	14.45	-	1032
CVVM30-6205Y	30	4	44.37	11.69	13.39	15.51	933	52.64	11.69	21.65	15.51	14.45	-	1032
CVVM306-6205Y	30	6	44.37	11.69	13.39	15.51	961	52.64	11.69	21.65	15.51	14.57	-	1061
CVVM40-6205Y	40	4	44.37	11.69	13.39	15.51	961	52.64	11.69	21.65	15.51	14.57	-	1061
CVVM406-6205Y	40	6	48.90	11.69	16.93	15.51	1045	57.36	11.69	25.39	15.51	17.52	-	1252
CVVM50-6205Y	50	4	48.90	11.69	16.93	15.51	1045	57.36	11.69	25.39	15.51	17.52	-	1252
CVVM506-6205Y	50	6	48.90	11.69	16.93	15.51	1045	57.36	11.69	25.39	15.51	17.52	-	1252
CVVM60-6205Y	60	4	48.90	11.69	16.93	15.51	1045	57.36	11.69	25.39	15.51	17.52	-	1252
CVVM606-6205Y	60	6	51.06	16.22	18.31	19.06	1250	-	-	-	-	-	-	-
CVVM75-6205Y	75	4	51.06	16.22	18.31	19.06	1250	-	-	-	-	-	-	-
CVVM15-6215Y	15	4	39.21	8.31	5.63	9.88	829	42.95	8.31	9.37	9.88	6.69	7.17	869
CVVM20-6215Y	20	4	41.97	9.13	11.61	12.76	950	45.51	9.13	15.16	12.76	8.66	-	1025
CVVM206-6215Y	20	6	45.31	11.69	13.39	15.51	1094	53.58	11.69	21.65	15.51	14.45	-	1193
CVVM25-6215Y	25	4	45.31	11.69	13.39	15.51	1094	53.58	11.69	21.65	15.51	14.45	-	1193
CVVM256-6215Y	25	6	45.31	11.69	13.39	15.51	1122	53.58	11.69	21.65	15.51	14.45	-	1222
CVVM30-6215Y	30	4	45.31	11.69	13.39	15.51	1094	53.58	11.69	21.65	15.51	14.45	-	1193
CVVM306-6215Y	30	6	45.31	11.69	13.39	15.51	1122	53.58	11.69	21.65	15.51	14.57	-	1222
CVVM40-6215Y	40	4	45.31	11.69	13.39	15.51	1122	53.58	11.69	21.65	15.51	14.57	-	1222
CVVM406-6215Y	40	6	49.84	11.69	16.93	15.51	1244	58.31	11.69	25.39	15.51	17.52	-	1453
CVVM50-6215Y	50	4	49.84	11.69	16.93	15.51	1244	58.31	11.69	25.39	15.51	17.52	-	1453
CVVM506-6215Y	50	6	49.84	11.69	16.93	15.51	1244	58.31	11.69	25.39	15.51	17.52	-	1453
CVVM60-6215Y	60	4	49.84	11.69	16.93	15.51	1244	58.31	11.69	25.39	15.51	17.52	-	1453
CVVM606-6215Y	60	6	52.01	16.22	18.31	19.06	1449	-	-	-	-	-	-	-
CVVM75-6215Y	75	4	52.01	16.22	18.31	19.06	1449	-	-	-	-	-	-	-
CVVM206-6225Y	20	6	46.89	11.69	13.39	15.51	1297	55.16	11.69	21.65	15.51	14.45	-	1396
CVVM25-6225Y	25	4	46.89	11.69	13.39	15.51	1297	55.16	11.69	21.65	15.51	14.45	-	1396
CVVM256-6225Y	25	6	46.89	11.69	13.39	15.51	1325	55.16	11.69	21.65	15.51	14.45	-	1424
CVVM30-6225Y	30	4	46.89	11.69	13.39	15.51	1297	55.16	11.69	21.65	15.51	14.45	-	1396
CVVM306-6225Y	30	6	46.89	11.69	13.39	15.51	1325	55.16	11.69	21.65	15.51	14.57	-	1424
CVVM40-6225Y	40	4	46.89	11.69	13.39	15.51	1325	55.16	11.69	21.65	15.51	14.57	-	1424
CVVM406-6225Y	40	6	51.42	11.69	16.93	15.51	1444	59.88	11.69	25.39	15.51	17.52	-	1654
CVVM50-6225Y	50	4	51.42	11.69	16.93	15.51	1444	59.88	11.69	25.39	15.51	17.52	-	1654
CVVM506-6225Y	50	6	51.42	11.69	16.93	15.51	1444	59.88	11.69	25.39	15.51	17.52	-	1654
CVVM60-6225Y	60	4	51.42	11.69	16.93	15.51	1444	59.88	11.69	25.39	15.51	17.52	-	1654
CVVM606-6225Y	60	6	53.58	16.22	18.31	19.06	1627	-	-	-	-	-	-	-
CVVM75-6225Y	75	4	53.58	16.22	18.31	19.06	1627	-	-	-	-	-	-	-
CVVM206-6235Y	20	6	49.33	11.69	13.39	15.51	1429	57.60	11.69	21.65	15.51	14.45	-	1497
CVVM256-6235Y	25	6	49.33	11.69	13.39	15.51	1429	57.60	11.69	21.65	15.51	14.45	-	1528
CVVM306-6235Y	30	6	49.33	11.69	13.39	15.51	1429	57.60	11.69	21.65	15.51	14.57	-	1528
CVVM406-6235Y	40	6	53.86	11.69	16.93	15.51	1530	62.32	11.69	25.39	15.51	17.52	-	1724
CVVM506-6235Y	50	6	53.86	11.69	16.93	15.51	1530	62.32	11.69	25.39	15.51	17.52	-	1724
CVVM606-6235Y	60	6	56.02	16.22	18.31	19.06	1727	-	-	-	-	-	-	-
CVVM756-6235Y	75	6	59.17	16.22	19.88	19.09	1846	-	-	-	-	-	-	-

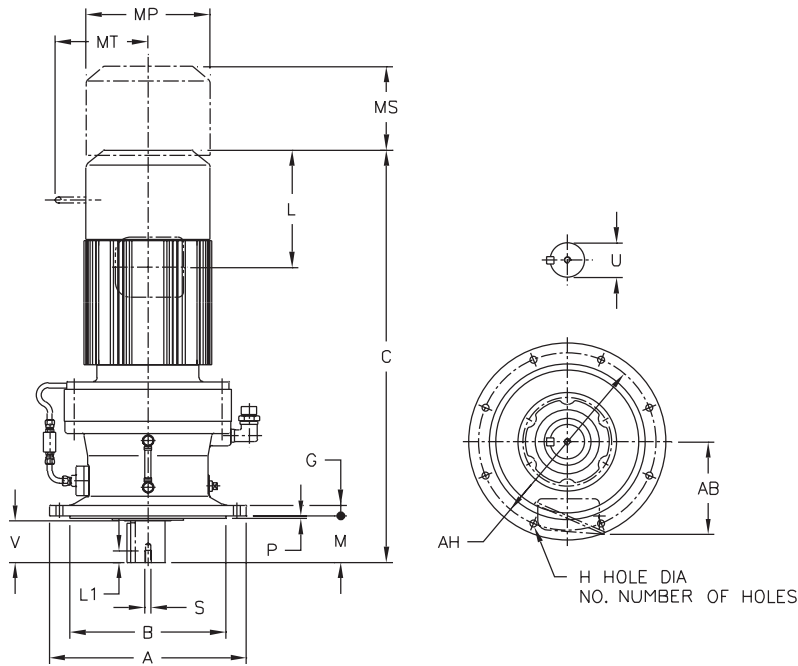
Gearmotors

Dimensions



Dimensions Integral Vertical V-Flange Mount

Single Reduction CVVM-6245Y ▶ 6265Y



All dimensions are in inches

Model CVVM	A	B	G	H	NO.	M	P	AH
6245Y	25.00	19.0918 19.0880	1.57	1.30	8	9.84	0.39	22.05
6255Y	26.97	21.0600 21.0557	1.77	1.30	8	11.61	0.39	24.02
6265Y	29.53	22.4380 22.4336	1.97	1.54	8	14.17	0.39	25.98

Model CVVM	Low Speed Shaft				
	U*	V	S	L1	Key
6245Y	5.500	7.87	1-8UNC	1.61	1-1/4 X 7/8 X 7.87
6255Y	6.250	9.45	1-1/4-7UNC	1.93	1-1/2 X 1 X 9.45
6265Y	6.625	11.81	1-1/4-7UNC	1.93	1-3/4 X 1-1/4 X 11.8

***Shaft Tolerances**

Shaft Nominal Diameter (inches)	Tolerances (inches)
1.250 (1 1/4) through 1.875 (1 7/8)	+0.0000/-0.0006
2.000 (2) through 3.125 (3 1/8)	+0.0000/-0.0007
3.250 (3 1/4) through 4.625 (4 5/8)	+0.0000/-0.0009
4.750 (4 3/4) through 7.000 (7)	+0.0000/-0.0010

Model	Motor Pole		C	Without Brake			Appx Wt (lb)	With Brake					Appx Wt (lb)	
	HP	Pole		AB	L	MP		C	AB	L	MP	MS		MT
CVVM206-6245Y	20	6	50.47	11.69	13.39	15.51	1663	58.74	11.69	21.65	15.51	14.45	-	1735
CVVM256-6245Y	25	6	50.47	11.69	13.39	15.51	1663	58.74	11.69	21.65	15.51	14.45	-	1766
CVVM306-6245Y	30	6	50.47	11.69	13.39	15.51	1663	58.74	11.69	21.65	15.51	14.57	-	1766
CVVM406-6245Y	40	6	55.00	11.69	16.93	15.51	1764	63.46	11.69	25.39	15.51	17.52	-	1958
CVVM506-6245Y	50	6	55.00	11.69	16.93	15.51	1764	63.46	11.69	25.39	15.51	17.52	-	1958
CVVM606-6245Y	60	6	57.17	16.22	18.31	19.06	1965	-	-	-	-	-	-	-
CVVM756-6245Y	75	6	60.31	16.22	19.88	19.09	2073	-	-	-	-	-	-	-
CVVM256-6255Y	25	6	55.12	11.69	13.39	15.51	2293	67.91	11.69	21.65	15.51	14.45	-	2496
CVVM306-6255Y	30	6	55.12	11.69	13.39	15.51	2293	67.91	11.69	21.65	15.51	14.57	-	2496
CVVM406-6255Y	40	6	59.65	11.69	16.93	15.51	2392	68.11	11.69	25.39	15.51	17.52	-	2586
CVVM506-6255Y	50	6	59.65	11.69	16.93	15.51	2392	68.11	11.69	25.39	15.51	17.52	-	2586
CVVM606-6255Y	60	6	61.81	16.22	18.31	19.06	2569	-	-	-	-	-	-	-
CVVM756-6255Y	75	6	64.96	16.22	19.88	19.09	2690	-	-	-	-	-	-	-
CVVM406-6265Y	40	6	64.25	11.69	16.93	15.51	3065	72.72	11.69	25.39	15.51	17.52	-	3259
CVVM506-6265Y	50	6	64.25	11.69	16.93	15.51	3065	72.72	11.69	25.39	15.51	17.52	-	3259
CVVM606-6265Y	60	6	66.42	16.22	18.31	19.06	3274	-	-	-	-	-	-	-