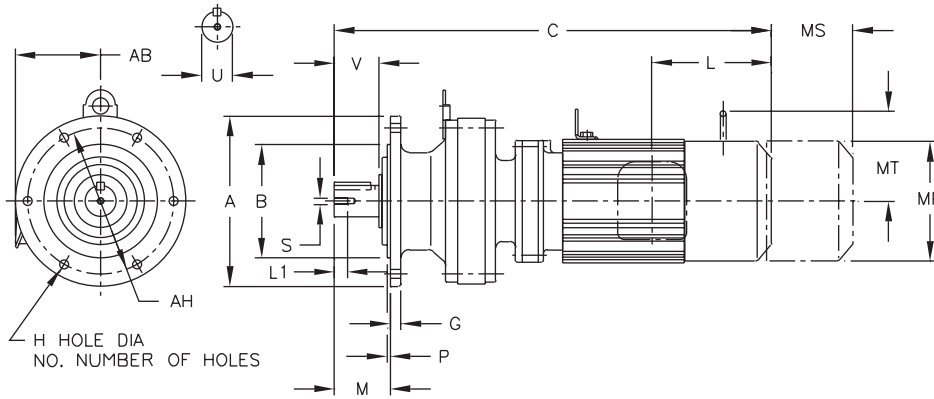


Dimensions Integral Universal V-Flange Mount

Double Reduction CNVM-6060/5DAY ▶ 6120/5DBY



All dimensions are in inches

Model CNVM	A	B	G	H	NO.	M	O	P	AH
6060/5DAY	4.72	3.1484 3.1466	0.31	0.35	6	1.34	-	0.12	4.02
6070/5DAY	6.30	4.3293 4.3272	0.35	0.43	4	1.65	-	0.12	5.28
6090/5DAY	6.30	4.3293 4.3272	0.35	0.43	4	1.89	4.21	0.12	5.28
6100/5DAY	6.30	4.3293 4.3272	0.35	0.43	4	1.89	4.21	0.12	5.28
6120/5DBY	8.27	5.5101 5.5076	0.51	0.43	6	2.72	5.39	0.16	7.09

Model CNVM	U*	V	Low Speed Shaft		
			S	L1	Key
6060/5DAY	0.500	0.98	10-32UNF	0.63	1/8 X 1/8 X 0.79
6070/5DAY	0.750	1.18	12-28UNF	0.63	3/16 X 3/16 X 1.06
6090/5DAY	1.125	1.38	5/16-18UNC	0.79	1/4 X 1/4 X 1.18
6100/5DAY	1.125	1.38	5/16-18UNC	0.79	1/4 X 1/4 X 1.18
6120/5DBY	1.500	2.17	5/16-18UNC	0.79	3/8 X 3/8 X 1.77

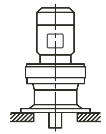
***Shaft Tolerances**

Shaft Nominal Diameter (inches)	Tolerances (inches)
0.500 (1/2) through 0.625 (5/8)	+0.0000/-0.0004
0.750 (3/4) through 1.125 (1 1/8)	+0.0000/-0.0005
1.250 (1 1/4) through 1.875 (1 7/8)	+0.0000/-0.0006

Gearmotors

Dimensions

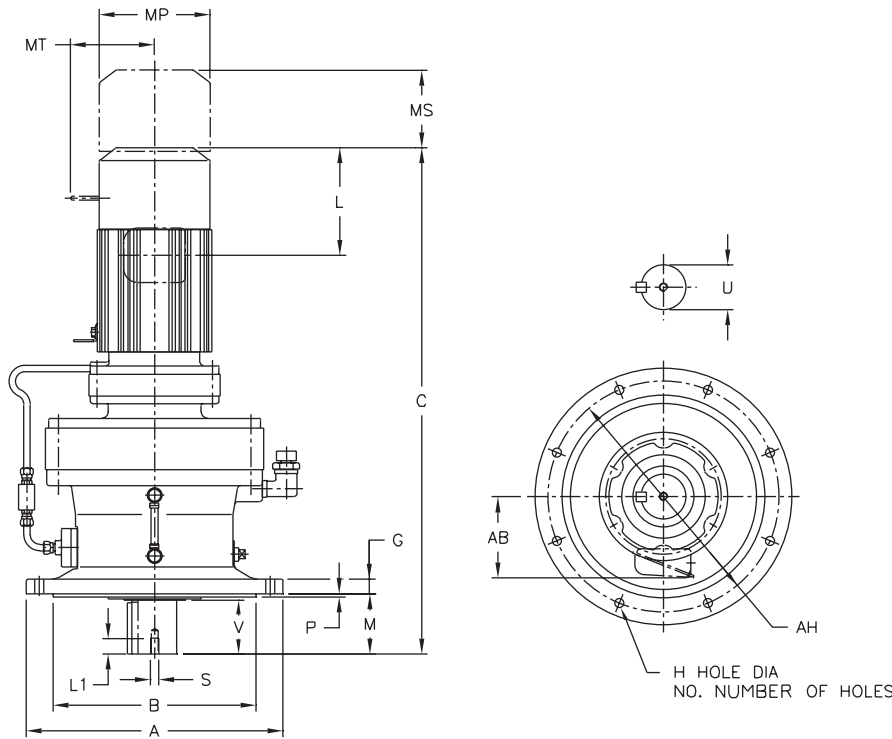
Model	Motor Pole		C	Without Brake			Appx Wt (lb)	C	AB	With Brake			Appx Wt (lb)	
	HP	Pole		AB	L	MP				L	MP	MS		MT
CNVM01-6060/5DAY	1/8	4	10.20	5.04	1.38	4.69	18	11.57	5.04	2.76	4.88	1.93	-	24
CNVM01-6070/5DAY	1/8	4	10.43	5.04	1.38	4.69	18	11.81	5.04	2.76	4.88	1.93	-	24
CNVM02-6070/5DAY	1/4	4	12.09	5.04	2.32	4.88	20	13.35	5.04	3.58	4.88	2.40	-	26
CNVM01-6090/5DAY	1/8	4	12.76	5.04	1.38	4.69	33	14.13	50.59	2.76	4.88	1.93	-	35
CNVM02-6090/5DAY	1/4	4	14.41	5.04	2.32	4.88	35	15.67	5.04	3.58	4.88	2.40	-	37
CNVM03-6090/5DAY	1/3	4	14.41	5.04	2.32	4.88	35	15.67	5.04	3.58	4.88	2.40	-	37
CNVM05-6090/5DAY	1/2	4	15.20	5.04	2.32	4.88	37	16.46	5.04	3.58	4.88	2.40	-	40
CNVM01-6100/5DAY	1/8	4	13.31	5.04	1.38	4.69	35	14.69	5.04	2.76	4.88	1.93	-	37
CNVM02-6100/5DAY	1/4	4	14.96	5.04	2.32	4.88	37	16.22	5.04	3.58	4.88	2.40	-	40
CNVM03-6100/5DAY	1/3	4	14.96	5.04	2.32	4.88	37	16.22	5.04	3.58	4.88	2.40	-	40
CNVM05-6100/5DAY	1/2	4	15.75	5.04	2.32	4.88	40	17.01	5.04	3.58	4.88	2.40	-	42
CNVM01-6120/5DBY	1/8	4	15.20	5.04	1.38	4.69	68	16.57	5.04	2.76	4.88	1.93	-	73
CNVM03-6120/5DBY	1/3	4	16.85	5.04	2.32	4.88	71	18.62	5.04	3.58	4.88	2.40	-	75
CNVM05-6120/5DBY	1/2	4	17.64	5.04	2.32	4.88	73	18.62	5.04	3.58	4.88	2.40	-	77
CNVM08-6120/5DBY	3/4	4	19.25	5.43	3.82	5.83	82	20.94	5.43	5.51	5.83	3.66	4.17	88
CNVM1-6120/5DBY	1	4	19.25	5.43	3.82	5.83	82	20.94	5.43	5.51	5.83	3.66	4.17	88
CNVM1H-6120/5DBY	1.5	4	20.31	5.63	3.94	6.30	90	22.76	5.63	6.38	6.30	4.53	4.49	101
CNVM2-6120/5DBY	2	4	20.31	5.63	3.94	6.30	90	22.76	5.63	6.38	6.30	4.53	4.49	101



Dimensions Integral Vertical V-Flange Mount

Double Reduction

CVVM-6130/5DCY ▶ 6190/5DBY



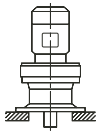
All dimensions are in inches

Model CVVM	A	B	G	H	NO.	M	P	AH
6130/5DCY	10.24	7.8720 7.8692	0.59	0.43	6	2.99	0.16	9.06
6140/5DBY	10.24	7.8720 7.8692	0.59	0.43	6	3.78	0.16	9.06
6160/5DCY	13.39	10.6277 10.6245	0.79	0.43	6	3.50	0.16	12.20
6170/5DCY	15.75	12.4385 12.4350	0.87	0.55	8	3.70	0.20	14.17
6180/5DBY	16.93	13.5802 13.5767	0.87	0.71	8	4.33	0.20	15.35
6190/5DAY	19.29	15.7456 15.7421	1.18	0.71	12	5.71	0.24	17.72
6190/5DBY	19.29	15.7456 15.7421	1.18	0.71	12	5.71	0.24	17.72

*Shaft Tolerances

Shaft Nominal Diameter (inches)	Tolerances (inches)
1.250 (1 1/4) through 1.875 (1 7/8)	+0.0000/-0.0006
2.000 (2) through 3.125 (3 1/8)	+0.0000/-0.0007
3.250 (3 1/4) through 4.625 (4 5/8)	+0.0000/-0.0009
4.750 (4 3/4) through 7.000 (7)	+0.0000/-0.0010

Model CVVM	Low Speed Shaft				Key
	U*	V	S	L1	
6130/5DCY	1.875	2.40	3/8-16UNC	0.71	1/2 X 1/2 X 2.16
6140/5DBY	1.875	3.19	3/8-16UNC	0.71	1/2 X 1/2 X 2.95
6160/5DCY	2.250	3.15	3/8-16UNC	0.71	1/2 X 1/2 X 2.95
6170/5DCY	2.750	3.31	1/2-13UNC	0.94	5/8 X 5/8 X 3.15
6180/5DBY	3.125	3.94	1/2-13UNC	0.94	3/4 X 3/4 X 3.74
6190/5DAY	3.625	4.92	3/4-10UNC	1.34	7/8 X 7/8 X 4.92
6190/5DBY	3.625	4.92	3/4-10UNC	1.34	7/8 X 7/8 X 4.92



Dimensions Integral Vertical V-Flange Mount

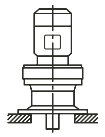
Double Reduction CVVM-6130/5DCY ▶ 6190/5DBY (cont.)

All dimensions are in inches

Model	Motor		Without Brake					Appx Wt (lb)	With Brake					Appx Wt (lb)
	HP	Pole	C	AB	L	MP	C		AB	L	MP	MS	MT	
CVVM02-6130/5DCY	1/4	4	19.41	5.04	2.32	4.88	110	20.67	5.04	3.58	4.88	2.40	-	115
CVVM03-6130/5DCY	1/3	4	19.41	5.04	2.32	4.88	110	20.67	5.04	3.58	4.88	2.40	-	115
CVVM05-6130/5DCY	1/2	4	20.20	5.04	2.32	4.88	112	21.46	5.04	3.58	4.88	2.40	-	117
CVVM08-6130/5DCY	3/4	4	21.81	5.43	3.82	5.83	121	23.50	5.43	5.51	5.83	3.66	4.17	117
CVVM1-6130/5DCY	1	4	21.81	5.43	3.82	5.83	121	23.50	5.43	5.51	5.83	3.66	4.17	128
CVVM1H-6130/5DCY	1.5	4	23.11	5.63	3.94	6.30	130	25.55	5.63	6.38	6.30	4.53	4.49	141
CVVM2-6130/5DCY	2	4	23.11	5.63	3.94	6.30	130	25.55	5.63	6.38	6.30	4.53	4.49	141
CVVM3-6130/5DCY	3	4	23.90	5.91	4.13	6.81	139	26.38	5.91	6.61	6.81	4.76	4.88	152
CVVM01-6140/5DBY	1/8	4	17.99	5.04	1.38	4.69	101	19.37	5.04	2.76	4.88	1.93	-	106
CVVM02-6140/5DBY	1/4	4	19.65	5.04	2.32	4.88	104	20.91	5.04	3.58	4.88	2.40	-	108
CVVM03-6140/5DBY	1/3	4	19.65	5.04	2.32	4.88	104	20.91	5.04	3.58	4.88	2.40	-	108
CVVM05-6140/5DBY	1/2	4	20.43	5.04	2.32	4.88	106	21.69	5.04	3.58	4.88	2.40	-	110
CVVM08-6140/5DBY	3/4	4	22.05	5.43	3.82	5.83	115	23.74	5.43	5.51	5.83	3.66	4.17	121
CVVM1-6140/5DBY	1	4	22.05	5.43	3.82	5.83	115	23.74	5.43	5.51	5.83	3.66	4.17	121
CVVM1H-6140/5DBY	1.5	4	23.35	5.63	3.94	6.30	123	25.79	5.63	6.38	6.30	4.53	4.49	135
CVVM2-6140/5DBY	2	4	23.35	5.63	3.94	6.30	123	25.79	5.63	6.38	6.30	4.53	4.49	135
CVVM05-6160/5DCY	1/2	4	26.73	5.04	4.13	6.81	234	29.21	5.04	6.61	6.81	4.76	4.88	249
CVVM08-6160/5DCY	3/4	4	23.07	5.43	2.32	4.88	207	24.49	5.43	3.58	4.88	2.40	-	212
CVVM1-6160/5DCY	1	4	24.65	5.43	3.82	5.83	216	26.34	5.43	5.51	5.83	3.66	4.17	223
CVVM1H-6160/5DCY	1.5	4	24.65	5.63	3.82	5.83	216	26.34	5.63	5.51	5.83	3.66	4.17	223
CVVM2-6160/5DCY	2	4	25.94	5.63	3.94	6.30	225	28.39	5.63	6.38	6.30	4.53	4.49	236
CVVM3-6160/5DCY	3	4	25.94	5.91	3.94	6.30	225	28.39	5.91	6.38	6.30	4.53	4.49	236
CVVM5-6160/5DCY	5	4	27.64	6.54	5.00	8.35	256	30.47	6.54	7.83	8.35	5.20	6.18	278
CVVM8-6160/5DCY	7.5	4	29.37	6.54	5.00	8.35	278	32.20	6.54	7.83	8.35	5.20	6.18	300
CVVM05-6170/5DCY	1/2	4	24.92	5.04	2.32	4.88	284	26.34	5.04	3.58	4.88	2.40	-	289
CVVM08-6170/5DCY	3/4	4	26.50	5.43	3.82	5.83	293	28.19	5.43	5.51	5.83	3.66	4.17	300
CVVM1-6170/5DCY	1	4	26.50	5.43	3.82	5.83	293	28.19	5.43	5.51	5.83	3.66	4.17	300
CVVM1H-6170/5DCY	1.5	4	27.80	5.63	3.94	6.30	302	30.24	5.63	6.38	6.30	4.53	4.49	313
CVVM2-6170/5DCY	2	4	27.80	5.63	3.94	6.30	302	30.24	5.63	6.38	6.30	4.53	4.49	313
CVVM3-6170/5DCY	3	4	28.58	5.91	4.13	6.81	311	31.06	5.91	6.61	6.81	4.76	4.88	326
CVVM5-6170/5DCY	5	4	29.49	6.54	5.00	8.35	333	32.32	6.54	7.83	8.35	5.20	6.18	355
CVVM8-6170/5DCY	7.5	4	31.22	6.54	5.00	8.35	355	34.06	6.54	7.83	8.35	5.20	6.18	377
CVVM1-6180/5DBY	1	4	28.86	5.43	3.82	5.83	386	30.55	5.43	5.51	5.83	3.66	4.17	392
CVVM1H-6180/5DBY	1.5	4	30.16	5.63	3.94	6.30	395	32.60	5.63	6.38	6.30	4.53	4.49	406
CVVM2-6180/5DBY	2	4	30.16	5.63	3.94	6.30	395	32.60	5.63	6.38	6.30	4.53	4.49	406
CVVM3-6180/5DBY	3	4	30.94	5.91	4.13	6.81	401	33.43	5.91	6.61	6.81	4.76	4.88	417
CVVM5-6180/5DBY	5	4	31.85	6.54	5.00	8.35	423	34.69	6.54	7.83	8.35	5.20	6.18	445
CVVM8-6180/5DBY	7.5	4	33.58	6.54	5.00	8.35	439	36.42	6.54	7.83	8.35	5.20	6.18	461
CVVM10-6180/5DBY	10	4	34.49	8.31	5.63	9.88	472	38.23	8.31	9.37	9.88	6.69	7.17	512
CVVM15-6180/5DBY	15	4	36.85	8.31	5.63	9.88	503	40.59	8.31	9.37	9.88	6.69	7.17	542
CVVM1-6190/5DAY	1	4	31.22	5.43	3.82	5.83	523	32.91	5.43	5.51	5.83	3.66	4.17	529
CVVM1H-6190/5DAY	1.5	4	32.52	5.63	3.94	6.30	531	34.96	5.63	6.38	6.30	4.53	4.49	542
CVVM2-6190/5DAY	2	4	32.52	5.63	3.94	6.30	531	34.96	5.63	6.38	6.30	4.53	4.49	542
CVVM3-6190/5DAY	3	4	33.31	5.91	4.13	6.81	540	35.79	5.91	6.61	6.81	4.76	4.88	556
CVVM5-6190/5DAY	5	4	34.21	6.54	5.00	8.35	562	37.05	6.54	7.83	8.35	5.20	6.18	584
CVVM8-6190/5DAY	7.5	4	35.94	6.54	5.00	8.35	578	38.78	6.54	7.83	8.35	5.20	6.18	600
CVVM5-6195DBY	5	4	34.84	6.54	5.00	8.35	578	37.68	6.54	7.83	8.35	5.20	6.18	600
CVVM8-6195DBY	7.5	4	36.57	6.54	5.00	8.35	593	39.41	6.54	7.83	8.35	5.20	6.18	615
CVVM10-6195DBY	10	4	37.48	8.31	5.63	9.88	626	41.22	8.31	9.37	9.88	6.69	7.17	666
CVVM15-6195DBY	15	4	39.84	8.31	5.63	9.88	657	43.58	8.31	9.37	9.88	6.69	7.17	697
CVVM20-6195DBY	20	4	43.39	9.13	11.61	12.76	772	46.93	9.13	15.16	12.76	8.66	-	845

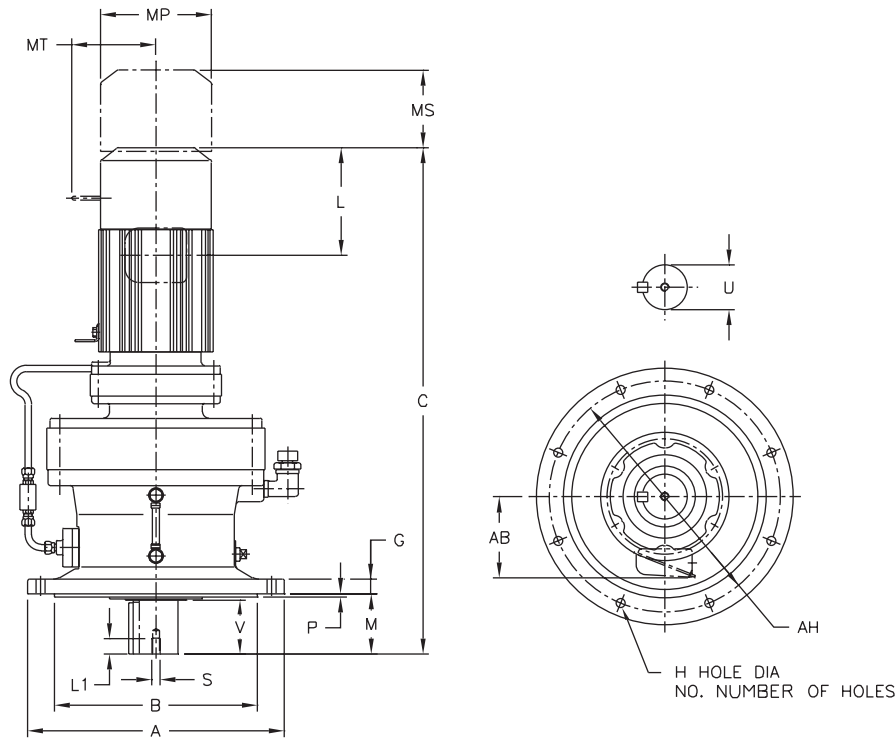
Gearmotors

Dimensions



Dimensions Integral Vertical V-Flange Mount

Double Reduction CVVM-6205DAY ▶ 6235DBY



All dimensions are in inches

Gearmotors

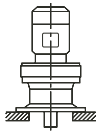
Dimensions

Model CVVM	A	B	G	H	NO.	M	P	AH
6205DAY	17.91	13.9739 13.9704	1.18	0.87	8	8.03	0.20	15.94
6205DBY	17.91	13.9739 13.9704	1.18	0.87	8	8.03	0.20	15.94
6215DAY	19.29	15.3519 15.3484	1.38	0.94	8	7.99	0.28	17.32
6215DBY	19.29	15.3519 15.3484	1.38	0.94	8	7.99	0.28	17.32
6225DAY	21.06	16.3359 16.3321	1.38	1.06	8	8.27	0.39	18.70
6225DBY	21.06	16.3359 16.3321	1.38	1.06	8	8.27	0.39	18.70
6235DAY	22.44	17.7139 17.7100	1.57	1.06	8	9.84	0.39	20.08
6235DBY	22.44	17.7139 17.7100	1.57	1.06	8	9.84	0.39	20.08

Model CVVM	U*	V	Low Speed Shaft		Key
			S	L1	
6205DAY	3.875	6.50	3/4-10UNC	1.34	1 X 1 X 6.50
6205DBY	3.875	6.50	3/4-10UNC	1.34	1 X 1 X 6.50
6215DAY	4.250	6.50	3/4-10UNC	1.34	1 X 1 X 6.50
6215DBY	4.250	6.50	3/4-10UNC	1.34	1 X 1 X 6.50
6225DAY	4.625	6.50	3/4-10UNC	1.34	1-1/4 X 7/8 X 6.5
6225DBY	4.625	6.50	3/4-10UNC	1.34	1-1/4 X 7/8 X 6.5
6235DAY	5.000	7.87	1-8UNC	1.61	1-1/4 X 7/8 X 7.87
6235DBY	5.000	7.87	1-8UNC	1.61	1-1/4 X 7/8 X 7.87

***Shaft Tolerances**

Shaft Nominal Diameter (inches)	Tolerances (inches)
2.000 (2) through 3.125 (3 1/8)	+0.0000/-0.0007
3.250 (3 1/4) through 4.625 (4 5/8)	+0.0000/-0.0009
4.750 (4 3/4) through 7.000 (7)	+0.0000/-0.0010



Dimensions Integral Vertical V-Flange Mount

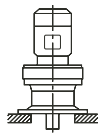
Double Reduction CVVM-6205DAY ▶ 6235DBY (cont.)

All dimensions are in inches

Model	Motor		Without Brake				Appx Wt (lb)	With Brake						Appx Wt (lb)
	HP	Pole	C	AB	L	MP		C	AB	L	MP	MS	MT	
CVVM1-6205DAY	1	4	32.83	5.43	3.82	5.83	558	34.53	5.43	5.51	5.83	3.66	4.17	564
CVVM2-6205DAY	2	4	34.13	5.63	3.94	6.30	567	36.57	5.63	6.38	6.30	4.53	4.49	578
CVVM3-6205DAY	3	4	34.92	5.91	4.13	6.81	576	37.36	5.91	6.61	6.81	4.76	4.88	591
CVVM5-6205DAY	5	4	35.83	6.54	5.00	8.35	598	38.66	6.54	7.83	8.35	5.20	6.18	620
CVVM8-6205DAY	7.5	4	37.56	6.54	5.00	8.35	613	40.39	6.54	7.83	8.35	5.20	6.18	635
CVVM3-6205DBY	3	4	35.98	5.91	4.13	6.81	602	38.46	5.91	6.61	6.81	4.76	4.88	617
CVVM5-6205DBY	5	4	36.89	6.54	5.00	8.35	624	39.72	6.54	7.83	8.35	5.20	6.18	662
CVVM8-6205DBY	7.5	4	38.62	6.54	5.00	8.35	639	41.46	6.54	7.83	8.35	5.20	6.18	712
CVVM10-6205DBY	10	4	39.53	8.31	5.63	9.88	673	43.27	8.31	9.37	9.88	6.69	7.17	763
CVVM15-6205DBY	15	4	41.89	8.31	5.63	9.88	703	45.63	8.31	9.37	9.88	6.69	7.17	794
CVVM20-6205DBY	20	4	45.43	9.13	11.61	12.76	818	48.58	9.13	15.16	12.76	8.66	-	942
CVVM2-6215DAY	2	4	36.22	5.63	3.94	6.30	728	38.66	5.63	6.38	6.30	4.53	4.49	739
CVVM3-6215DAY	3	4	37.01	5.91	4.13	6.81	734	39.49	5.91	6.61	6.81	4.76	4.88	750
CVVM5-6215DAY	5	4	37.91	6.54	5.00	8.35	756	40.75	6.54	7.83	8.35	5.20	6.18	778
CVVM8-6215DAY	7.5	4	39.65	6.54	5.00	8.35	772	42.48	6.54	7.83	8.35	5.20	6.18	794
CVVM10-6215DAY	10	4	40.55	8.31	5.63	9.88	805	44.29	8.31	9.37	9.88	6.69	7.17	845
CVVM15-6215DAY	15	4	42.91	8.31	5.63	9.88	836	46.65	8.31	9.37	9.88	6.69	7.17	875
CVVM20-6215DAY	20	4	46.46	9.13	11.61	12.76	950	50.00	9.13	15.16	12.76	8.66	-	1023
CVVM10-6215DBY	10	4	41.73	8.31	5.63	9.88	880	45.47	8.31	9.37	9.88	6.69	7.17	917
CVVM15-6215DBY	15	4	44.09	8.31	5.63	9.88	911	47.83	8.31	9.37	9.88	6.69	7.17	948
CVVM20-6215DBY	20	4	47.44	9.13	11.61	12.76	1028	50.98	9.13	15.16	12.76	8.66	-	1100
CVVM25-6215DBY	25	4	51.18	11.69	13.39	15.51	1186	59.45	11.69	21.65	15.51	14.45	-	1283
CVVM30-6215DBY	30	4	51.18	11.69	13.39	15.51	1186	59.45	11.69	21.65	15.51	14.45	-	1283
CVVM2-6225DAY	2	4	37.87	5.63	3.94	6.30	924	40.31	5.63	6.38	6.30	4.53	4.49	935
CVVM3-6225DAY	3	4	38.66	5.91	4.13	6.81	931	41.14	5.91	6.61	6.81	4.76	4.88	946
CVVM5-6225DAY	5	4	39.57	6.54	5.00	8.35	953	42.40	6.54	7.83	8.35	5.20	6.18	975
CVVM8-6225DAY	7.5	4	41.30	6.54	5.00	8.35	968	44.13	6.54	7.83	8.35	5.20	6.18	990
CVVM10-6225DAY	10	4	42.20	8.31	5.63	9.88	1001	45.94	8.31	9.37	9.88	6.69	7.17	1041
CVVM15-6225DAY	15	4	44.57	8.31	5.63	9.88	1032	48.31	8.31	9.37	9.88	6.69	7.17	1069
CVVM20-6225DAY	20	4	48.11	9.13	11.61	12.76	1147	51.65	9.13	15.16	12.76	8.66	-	1217
CVVM10-6225DBY	10	4	44.29	8.31	5.63	9.88	1103	48.03	8.31	9.37	9.88	6.69	7.17	1142
CVVM15-6225DBY	15	4	46.65	8.31	5.63	9.88	1133	50.39	8.31	9.37	9.88	6.69	7.17	1173
CVVM20-6225DBY	20	4	49.80	9.13	11.61	12.76	1252	53.35	9.13	15.16	12.76	8.66	-	1325
CVVM25-6225DBY	25	4	53.54	11.69	13.39	15.51	1446	61.81	11.69	21.65	15.51	14.45	-	1499
CVVM30-6225DBY	30	4	53.54	11.69	13.39	15.51	1446	61.81	11.69	21.65	15.51	14.45	-	1499
CVVM40-6225DBY	40	4	53.54	11.69	13.39	15.51	1484	61.81	11.69	21.65	15.51	14.57	-	1579
CVVM3-6235DAY	3	4	42.09	5.91	4.13	6.81	1151	44.53	5.91	6.61	6.81	4.76	4.88	1164
CVVM5-6235DAY	5	4	42.95	6.54	5.00	8.35	1171	45.79	6.54	7.83	8.35	5.20	6.18	1193
CVVM8-6235DAY	7.5	4	44.69	6.54	5.00	8.35	1186	47.52	6.54	7.83	8.35	5.20	6.18	1208
CVVM10-6235DAY	10	4	45.79	8.31	5.63	9.88	1222	49.53	8.31	9.37	9.88	6.69	7.17	1259
CVVM15-6235DAY	15	4	48.15	8.31	5.63	9.88	1252	51.89	8.31	9.37	9.88	6.69	7.17	1290
CVVM20-6235DAY	20	4	51.54	9.13	11.61	12.76	1369	55.04	9.13	15.16	12.76	8.66	-	1442
CVVM25-6235DAY	25	4	55.24	11.69	13.39	15.51	1528	63.50	11.69	21.65	15.51	14.45	-	1625
CVVM30-6235DAY	30	4	55.24	11.69	13.39	15.51	1528	63.50	11.69	21.65	15.51	14.45	-	1625
CVVM40-6235DBY	40	4	56.10	11.69	13.39	15.51	1629	64.37	11.69	21.65	15.51	14.57	-	1724
CVVM50-6235DBY	50	4	60.63	11.69	16.93	15.51	1735	69.09	11.69	25.39	15.51	17.52	-	1949

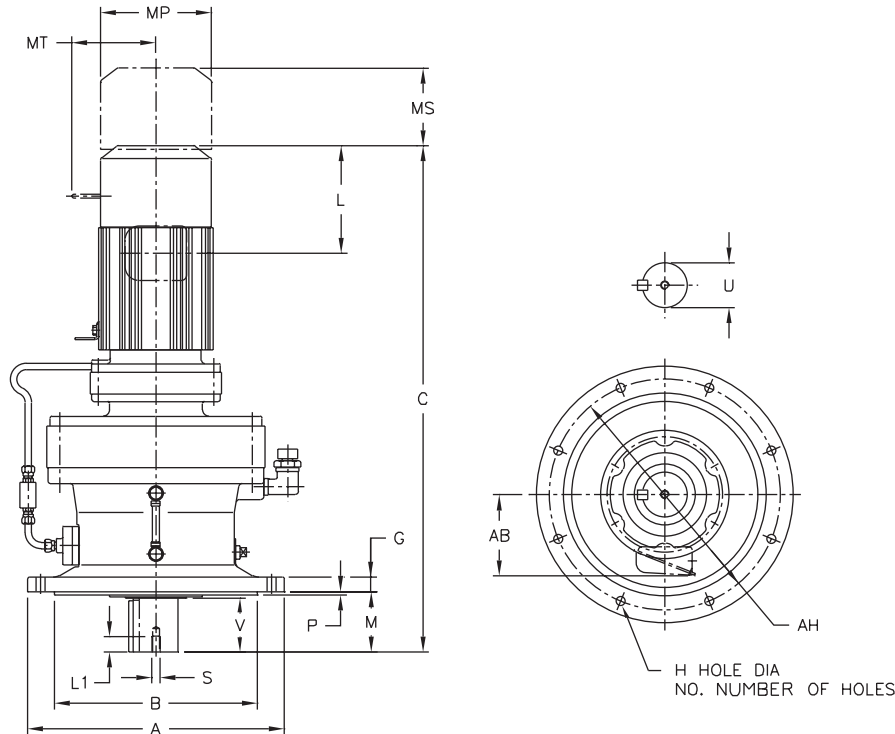
Gearmotors

Dimensions



Dimensions Integral Vertical V-Flange Mount

Double Reduction CVVM-6245DAY ▶ 6275DAY



Gearmotors

Dimensions

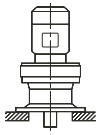
All dimensions are in inches

Model CVVM	A	B	G	H	NO.	M	P	AH
6245DBY	25.00	19.0918 19.0880	1.57	1.30	8	9.84	0.39	22.05
6255DAY	26.97	21.0600 21.0557	1.77	1.30	8	11.61	0.39	24.02
6255DBY	26.97	21.0600 21.0557	1.77	1.30	8	11.61	0.39	24.02
6265DAY	29.53	22.4380 22.4336	1.97	1.54	8	14.17	0.39	25.98
6275DAY	45.67	35.4297 35.4242	2.36	1.54	8	13.98	0.39	40.16

Model CVVM	U*	V	Low Speed Shaft		Key
			S	L1	
6245DBY	5.500	7.87	1-8UNC	1.61	1-1/4 X 7/8 X 7.87
6255DAY	6.250	9.45	1-1/4-7UNC	1.93	1-1/2 X 1 X 9.45
6255DBY	6.250	9.45	1-1/4-7UNC	1.93	1-1/2 X 1 X 9.45
6265DAY	6.625	11.81	1-1/4-7UNC	1.93	1-3/4 X 1-1/4 X 11.8
6275DAY	7.000	12.60	1-1/4-7UNC	2.05	1-3/4 X 1-1/4 X 13

***Shaft Tolerances**

Shaft Nominal Diameter (inches)	Tolerances (inches)
2.000 (2) through 3.125 (3 1/8)	+0.0000/-0.0007
3.250 (3 1/4) through 4.625 (4 5/8)	+0.0000/-0.0009
4.750 (4 3/4) through 7.000 (7)	+0.0000/-0.0010



Dimensions Integral Vertical V-Flange Mount

Double Reduction CVVM-6245DAY ▶ 6275DAY (cont.)

All dimensions are in inches

Model	Motor		C	Without Brake			Appx Wt (lb)	With Brake						Appx Wt (lb)
	HP	Pole		AB	L	MP		C	AB	L	MP	MS	MT	
CVVM3-6245DAY	3	4	43.54	5.91	4.13	6.81	1358	46.02	5.91	6.61	6.81	4.76	4.88	1372
CVVM5-6245DAY	5	4	44.45	6.54	5.00	8.35	1378	47.28	6.54	7.83	8.35	5.20	6.18	1400
CVVM8-6245DAY	7.5	4	46.18	6.54	5.00	8.35	1394	49.02	6.54	7.83	8.35	5.20	6.18	1416
CVVM10-6245DAY	10	4	47.28	8.31	5.63	9.88	1429	51.02	8.31	9.37	9.88	6.69	7.17	1466
CVVM15-6245DAY	15	4	49.65	8.31	5.63	9.88	1460	53.39	8.31	9.37	9.88	6.69	7.17	1497
CVVM20-6245DAY	20	4	52.99	9.13	11.61	12.76	1577	56.54	9.13	15.16	12.76	8.66	-	1649
CVVM25-6245DAY	25	4	56.73	11.69	13.39	15.51	1735	65.00	11.69	21.65	15.51	14.45	-	1852
CVVM30-6245DAY	30	4	56.73	11.69	13.39	15.51	1735	65.00	11.69	21.65	15.51	14.45	-	1852
CVVM20-6245DBY	20	4	53.82	9.13	11.61	12.76	1652	57.36	9.13	15.16	12.76	8.66	-	1713
CVVM30-6245DBY	30	4	57.56	11.69	13.39	15.51	1788	65.83	11.69	21.65	15.51	14.45	-	1901
CVVM40-6245DBY	40	4	57.56	11.69	13.39	15.51	1826	65.83	11.69	21.65	15.51	14.57	-	1921
CVVM50-6245DBY	50	4	62.09	11.69	16.93	15.51	1932	70.55	11.69	25.39	15.51	17.52	-	2145
CVVM5-6255DAY	5	4	50.55	6.54	5.00	8.35	2086	53.39	6.54	7.83	8.35	5.20	6.18	2108
CVVM8-6255DAY	7.5	4	52.28	6.54	5.00	8.35	2101	55.12	6.54	7.83	8.35	5.20	6.18	2123
CVVM10-6255DAY	10	4	52.99	8.31	5.63	9.88	2134	56.73	8.31	9.37	9.88	6.69	7.17	2168
CVVM15-6255DAY	15	4	55.35	8.31	5.63	9.88	2165	59.09	8.31	9.37	9.88	6.69	7.17	2198
CVVM20-6255DAY	20	4	58.50	9.13	11.61	12.76	2293	62.05	9.13	15.16	12.76	8.66	-	2370
CVVM25-6255DAY	25	4	62.24	11.69	13.39	15.51	2437	70.51	11.69	21.65	15.51	14.45	-	2549
CVVM30-6255DAY	30	4	62.24	11.69	13.39	15.51	2437	70.51	11.69	21.65	15.51	14.45	-	2549
CVVM40-6255DAY	40	4	62.24	11.69	13.39	15.51	2478	70.51	11.69	21.65	15.51	14.57	-	2573
CVVM25-6255DBY	25	4	63.11	11.69	13.39	15.51	2602	71.38	11.69	21.65	15.51	14.45	-	2714
CVVM30-6255DBY	30	4	63.11	11.69	13.39	15.51	2602	71.38	11.69	21.65	15.51	14.45	-	2714
CVVM40-6255DBY	40	4	63.11	11.69	13.39	15.51	2635	71.38	11.69	21.65	15.51	14.57	-	2730
CVVM50-6255DBY	50	4	67.64	11.69	16.93	15.51	2719	75.91	11.69	25.39	15.51	17.52	-	2933
CVVM60-6255DBY	60	4	67.64	11.69	16.93	15.51	2719	75.91	11.69	25.39	15.51	17.52	-	2933
CVVM8-6265DAY	7.5	4	58.27	6.54	5.00	8.35	2855	61.10	6.54	7.83	8.35	5.20	6.18	2878
CVVM10-6265DAY	10	4	58.78	8.31	5.63	9.88	2884	62.52	8.31	9.37	9.88	6.69	7.17	2928
CVVM15-6265DAY	15	4	61.14	8.31	5.63	9.88	2922	64.88	8.31	9.37	9.88	6.69	7.17	2955
CVVM20-6265DAY	20	4	63.70	9.13	11.61	12.76	3032	67.24	9.13	15.16	12.76	8.66	-	3109
CVVM25-6265DAY	25	4	67.44	11.69	13.39	15.51	3197	75.71	11.69	21.65	15.51	14.45	-	3296
CVVM30-6265DAY	30	4	67.44	11.69	13.39	15.51	3197	75.71	11.69	21.65	15.51	14.45	-	3296
CVVM40-6265DAY	40	4	67.44	11.69	13.39	15.51	3230	75.71	11.69	21.65	15.51	14.57	-	3325
CVVM50-6265DAY	50	4	71.97	11.69	16.93	15.51	3308	80.43	11.69	25.39	15.51	17.52	-	3513
CVVM60-6265DAY	60	4	71.97	11.69	16.93	15.51	3308	80.43	11.69	25.39	15.51	17.52	-	3513
CVVM10-6275DAY	10	4	69.06	8.31	5.63	9.88	5938	72.80	8.31	9.37	9.88	6.69	7.17	5982
CVVM15-6275DAY	15	4	71.42	8.31	5.63	9.88	5969	75.16	8.31	9.37	9.88	6.69	7.17	6002
CVVM20-6275DAY	20	4	73.98	9.13	11.61	12.76	6086	77.52	9.13	15.16	12.76	8.66	-	6163
CVVM25-6275DAY	25	4	77.72	11.69	13.39	15.51	6251	85.98	11.69	21.65	15.51	14.45	-	6350
CVVM30-6275DAY	30	4	77.72	11.69	13.39	15.51	6251	85.98	11.69	21.65	15.51	14.45	-	6350
CVVM40-6275DAY	40	4	77.72	11.69	13.39	15.51	6284	85.98	11.69	21.65	15.51	14.57	-	6379
CVVM50-6275DAY	50	4	82.24	11.69	16.93	15.51	6361	90.71	11.69	25.39	15.51	17.52	-	6566
CVVM60-6275DAY	60	4	82.24	11.69	16.93	15.51	6361	90.71	11.69	25.39	15.51	17.52	-	6566

Gearmotors

Dimensions