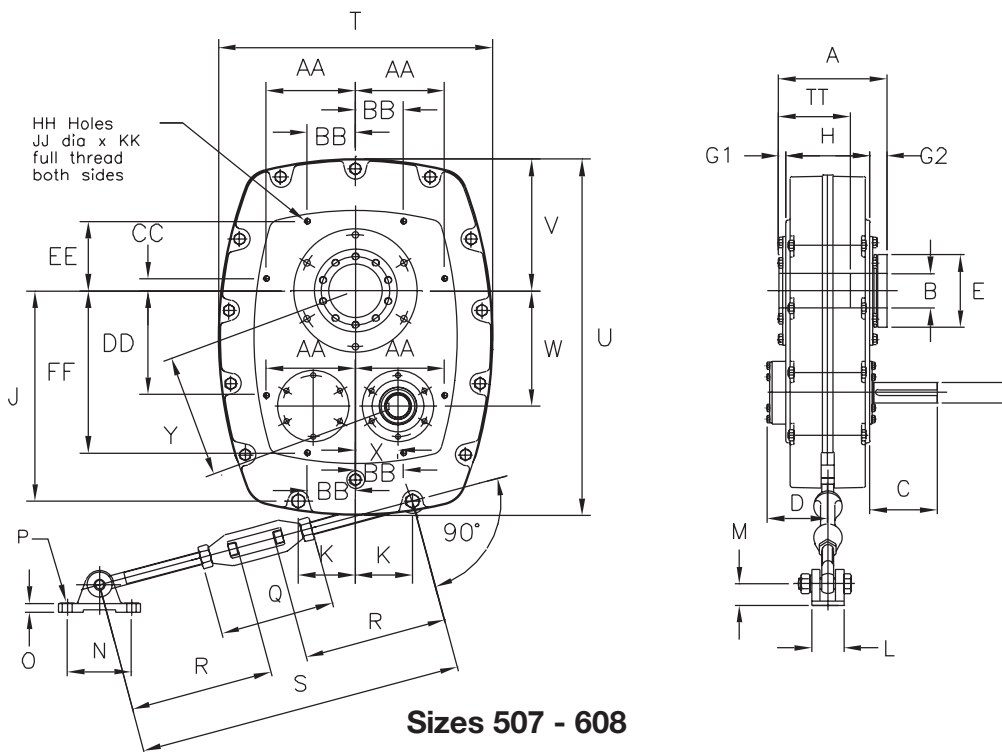
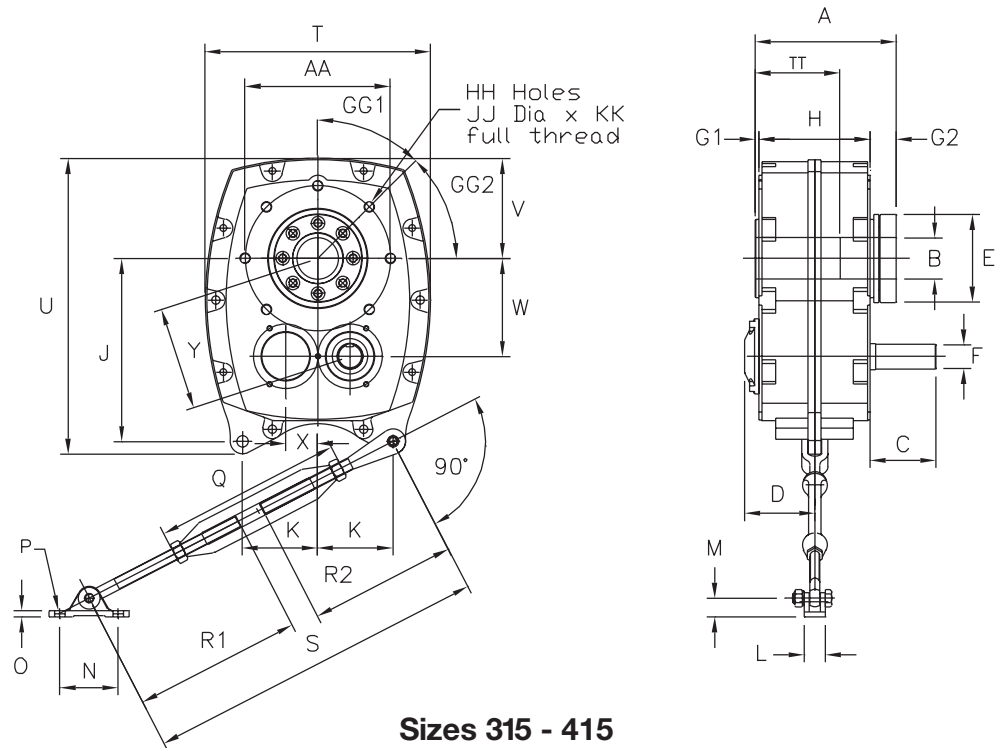


Dimensions – Unit Sizes 315 ~ 608



Dimensions – Unit Sizes 315 ~ 608

DIMENSION	UNIT SIZE				
	315J	407S	415K	507L	608M
A	10.7	10.9	11.4	14.0	16.0
B	Refer to Bore Size table on page 7				
C	4.96	5.71	7.09	8.50	9.49
D [1]	5.24	5.28	5.55	7.99	8.86
E	6.69	7.32	8.15	9.37	10.9
F (key)	Ø1-7/8 (1/2 x 1/2)	Ø2-3/16 (1/2 x 1/2)	Ø2-7/16 (5/8 x 5/8)	Ø2-9/16 (5/8 x 5/8)	Ø3-3/8 (7/8 x 7/8)
G1	0.26	0.28	0.30	0.87	0.87
G2	1.97	2.01	2.32	2.17	2.17
H	8.46	8.66	8.82	10.6	12.5
J	13.9	18.0	20.4	23.2	26.7
K	5.71	6.18	6.30	6.30	7.48
L	2.76	2.76	2.76	4.33	4.33
M	1.97	1.97	1.97	2.99	2.99
N	4.72	4.72	4.72	7.09	7.09
O	0.71	0.71	0.71	1.02	1.02
P	0.63	0.63	0.63	M24	M24
Q	8.74	8.74	8.74	10.4	10.4
R	–	–	–	15.7	15.7
R1	14.8	14.8	14.8	–	–
R2	10.4	10.4	10.4	–	–
S	Min.	25.1	25.1	31.5	31.5
	Max.	31.0	31.0	31.0	37.4
T	17.1	21.3	22.4	30.3	34.6
U	22.4	28.9	32.0	39.4	44.9
V	7.68	10.0	11.1	14.6	16.1
W	7.44	10.0	10.5	12.8	14.7
X	2.44	2.95	3.67	4.69	5.24
Y	7.87	10.5	11.1	13.6	15.6
AA	11.0	11.0	12.60	9.84	12.4
BB	–	–	–	5.31	5.12
CC	–	–	–	1.34	-1.57
DD	–	–	–	11.6	11.0
EE	–	–	–	7.68	8.46
FF	–	–	–	17.9	21.1
GG1	0°	22.5°	22.5°	–	–
GG2	45°	45°	45°	–	–
HH	7	8	8	8	8
JJ	M20	M20	M20	M16	M16
KK	0.94	1.18	0.94	1.06	1.06
TT	5.62	5.12	5.24	6.50	7.40
Single Red. Wt. (lbs)	324	443	567	–	–
Double Red. Wt. (lbs)	342	483	622	1202	1632

Note: [1] Dimension D is increased by 0.28 inches when a backstop is fitted.

Exact Ratio

Nominal Ratio	Unit Size				
	315J	407S	415K	507L	608M
5:1	5.047	5.047	–	–	–
14:1	13.587	13.587	13.270	13.260	12.850
20:1	20.455	20.455	19.970	19.580	19.330
25:1	25.235	25.235	24.000	24.733	22.601

Dimensions shown are for reference only and are subject to change without notice, unless certified.
Certified prints are available after receipt of an order; consult factory.